

Anti vandal switch Ø40mm



SPECIFICATIONS

Electrical Rating: 5A, 250VAC
Mechanical Life: 1,000,000 Cycles
Electrical Life: 50,000 Cycles
Contact Resistance: 50mΩ Max.
Insulation Resistance: 1000 MΩ Min. @ 500VDC
Dielectric Strength: 2,000VAC
Operating/Storage Temperature: -20°C to 55°C
Travel: 2.8mm
Moisture Protection: IP65
Contact Arrangement: SPDT or DPDT
Actuation Force: 6.5N
Panel Thickness: 1-5mm
Hex Nut Torque: 0.6Nm

FEATURES & BENEFITS

- 40mm diameter panel cutout
- Dot or ring illumination options available
- Multiple switch functions available
- Multiple illumination voltage options
- IP65 rated
- SPDT or DPDT
- Soldered wire leads (300mm long) optional

PART NUMBER CONFIGURATOR

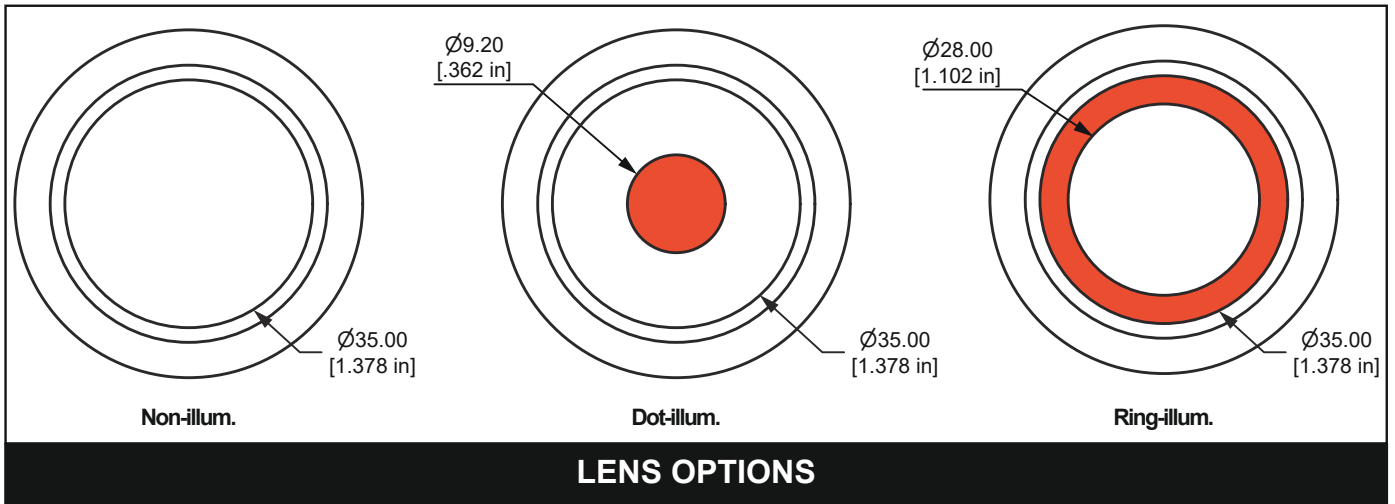
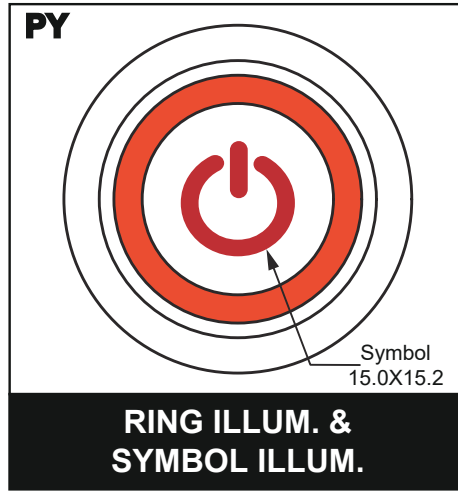
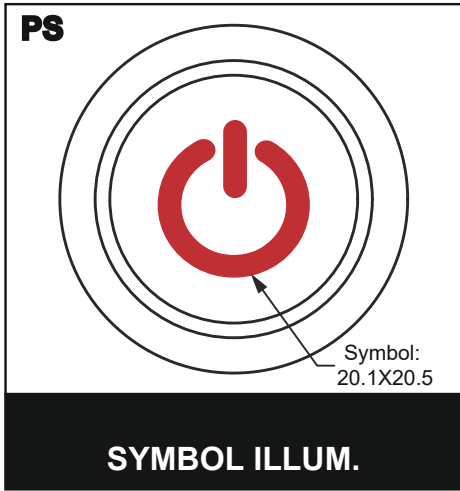
Series	Actuator Options	Terminal Options	Function Options	Material Options	Illumination Style Options	LED-Color Options	Illumination Voltage Options	Graphic (Optional)
L40 - 40mm	F - Flat	NONE Solder-lug (2.8x0.5) C - Wire-leads 300mm long	M - Momentary 1- 1N01NC 2- 2N02NC Z - Latching 1- 1N01NC 2- 2N02NC	S - Stainless Steel	NONE - Non-Illuminated D - Dot Illumination R - Ring Illumination PS - Power backlit symbol PY - Ring illum. & Power backlit symbol X - Backlit Label Kit**	NONE - Non-Illuminated W - White R - Red O - Orange G - Green B - Blue Y - Yellow RO - Red/Orange RG - Red/Green RB - Red/Blue RY - Red/Yellow OG - Orange/Green OB - Orange/Blue OY - Orange/Yellow	NONE - Non-Illuminated 1 - Base Voltage** 3.3V 6V 12V 24V 36V 110V 220V	NONE - Non-Illuminated LE - Laser etched

NOTES:
 * Base voltage on LEDs:
 1.8V @ 20mA for Red, Yellow and Orange LED colors
 2.8V @ 20mA for Blue, Green and White LED colors
 ** UV Printing

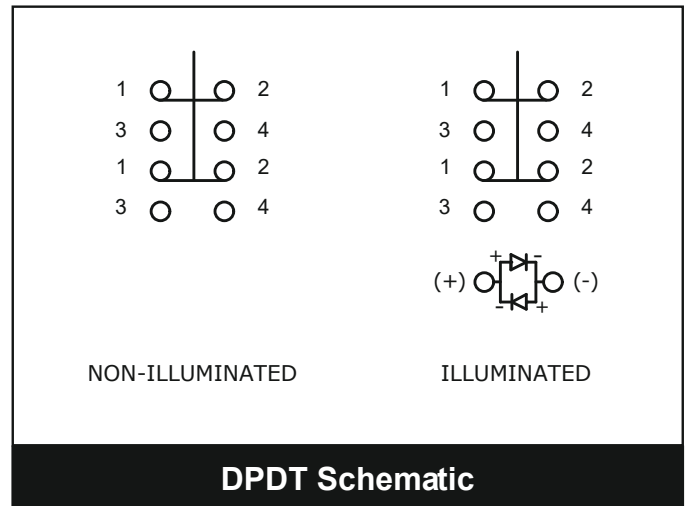
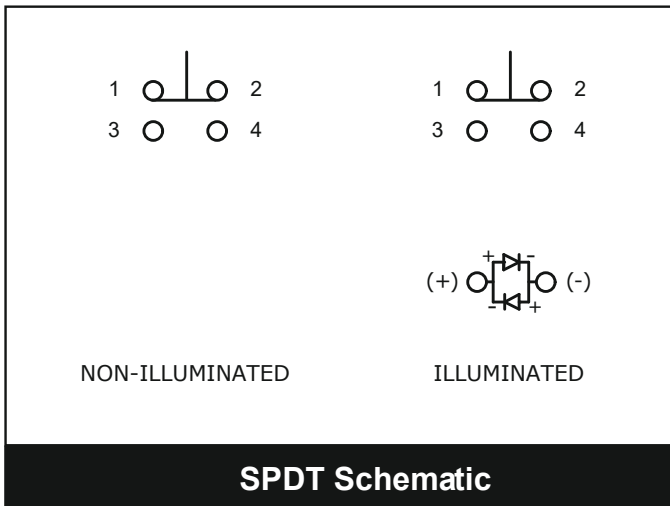
Specifications subject to change without notice

Anti vandal switch Ø40mm

ILLUM. OPTIONS

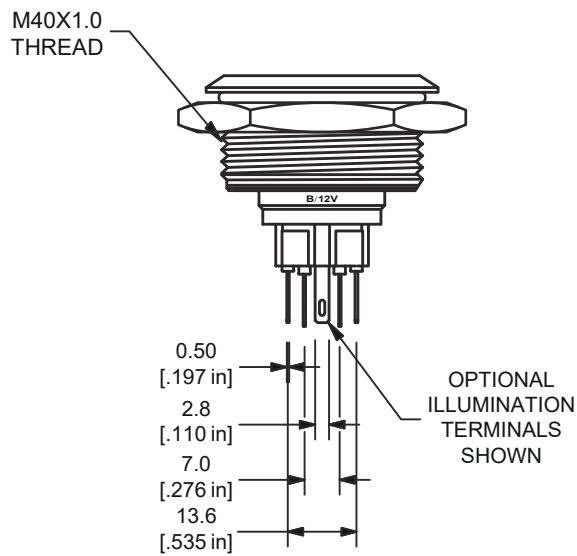
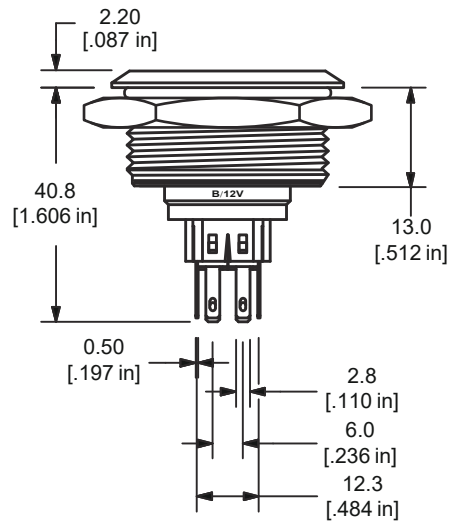
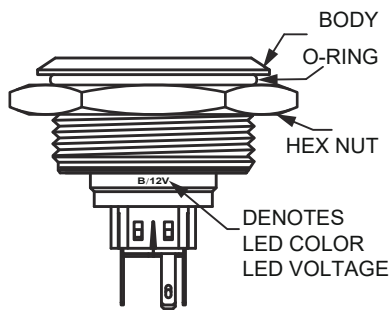
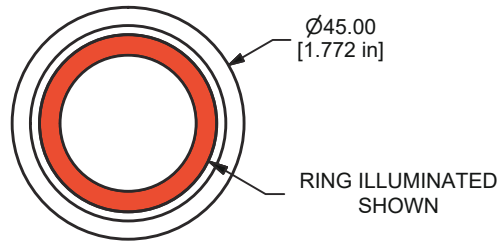


SCHEMATICS



Anti vandal switch Ø40mm

DIMENSIONS

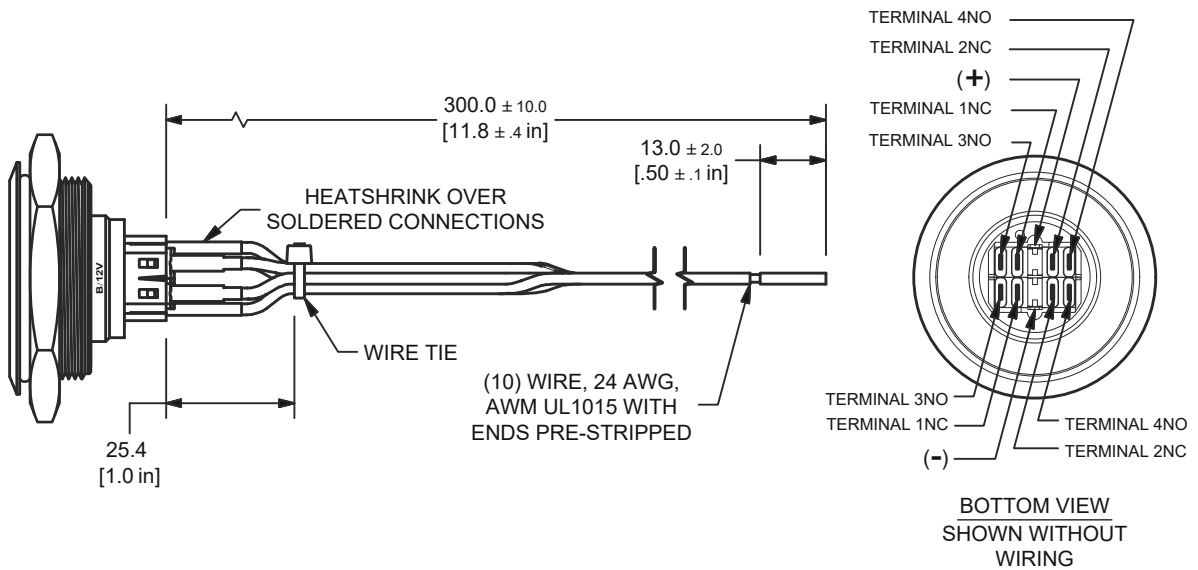


Anti vandal switch Ø40mm

WIRE LEAD

SWITCH	WIRE	LENGTH
SW1-1NC	WIRE, 24AWG AWM UL1015, WHITE	300.0 [11.8 in]
SW1-2NC	WIRE, 24AWG AWM UL1015, WHITE	300.0 [11.8 in]
SW1-3NO	WIRE, 24AWG AWM UL1015, BLUE	300.0 [11.8 in]
SW1-4NO	WIRE, 24AWG AWM UL1015, BLUE	300.0 [11.8 in]
SW1-1NC	WIRE, 24AWG AWM UL1015, WHITE	300.0 [11.8 in]
SW1-2NC	WIRE, 24AWG AWM UL1015, WHITE	300.0 [11.8 in]
SW1-3NO	WIRE, 24AWG AWM UL1015, BLUE	300.0 [11.8 in]
SW1-4NO	WIRE, 24AWG AWM UL1015, BLUE	300.0 [11.8 in]
SW1- (+)	WIRE, 24AWG AWM UL1015, RED	300.0 [11.8 in]
SW1- (-)	WIRE, 24AWG AWM UL1015, BLACK	300.0 [11.8 in]

** WIRE LEADS PROVIDED ARE DEPENDANT ON THE FUNCTION AND/OR ILLUMINATION SELECTED **



NO = Normally open
NC = Normally closed

Terminals (-) and (+) used with Illum. option only

