

Applications / Markets



Yacht Controls



Security Devices



Industrial Controls



Kiosks



Electrical Housewares



Medical Equipment



SPECIFICATIONS

Contact Arrangement: Lamp indicator
Operating/Storage Temperature: -25°C to 55°C
Lamp Life: 40,000 Hours Nominal
Ingress Protection: IP67
Panel Thickness: 1-6mm or 1-10mm, (depending on mounting diameter)
Mounting Nut Torque: 5-14Nm

FEATURES & BENEFITS

- Pilot indicator light
- Multiple panel cutout sizes: 6mm to 19mm dia.
- Multiple illumination voltage options
- Multiple LED color options
- IP67 rated

PART NUMBER CONFIGURATOR

Series	Indicator Diameter	Terminal Options	Lens	Illumination Style Options	Material Options	Led-Color Options	Illumination Voltage Options
<input type="checkbox"/> PI <input type="checkbox"/> PV*	<input type="checkbox"/> 06- 6mm Dia. <input type="checkbox"/> 08- 8mm Dia. <input type="checkbox"/> 10- 10mm Dia. <input type="checkbox"/> 12- 12mm Dia. <input type="checkbox"/> 14- 14mm Dia. <input type="checkbox"/> 16- 16mm Dia. <input type="checkbox"/> 19- 19mm Dia.	<input type="checkbox"/> NONE Solder-lug(2.8x0.5) <input type="checkbox"/> K- Wire-leads 150mm long or request	<input type="checkbox"/> F- Flush <input type="checkbox"/> P- Prominent <input type="checkbox"/> R- Recessed	<input type="checkbox"/> D- Dot illum. <input type="checkbox"/> R- Ring illum. 16, 19mm only	<input type="checkbox"/> S- Stainless steel <input type="checkbox"/> N- Nickel plated brass	<input type="checkbox"/> W- White <input type="checkbox"/> Y- Yellow <input type="checkbox"/> B- Blue <input type="checkbox"/> G- Green <input type="checkbox"/> R- Red <input type="checkbox"/> O- Orange	<input type="checkbox"/> NONE- Base voltage** <input type="checkbox"/> 3.3V <input type="checkbox"/> 6V <input type="checkbox"/> 12V <input type="checkbox"/> 24V

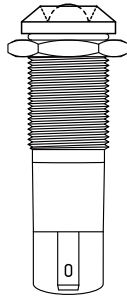
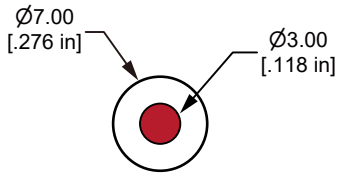
NOTES:
 * PV: 6mm and 12mm only
 ** Base voltage on LEDs: 1.8V @ 20mA for Red, Yellow and Orange LED colors / 2.8V @ 20mA for Blue, Green and White LED colors

Specifications subject to change without notice

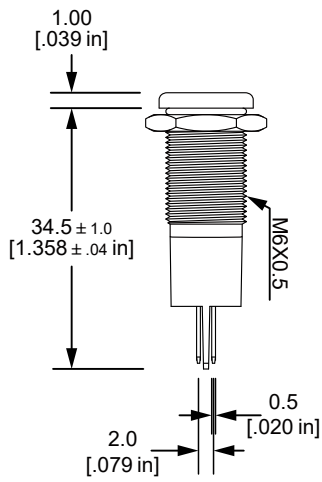
Ø6mm Anti vandal pilot indicator

DIMENSIONS

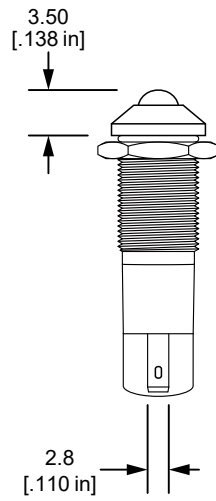
PI06



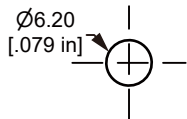
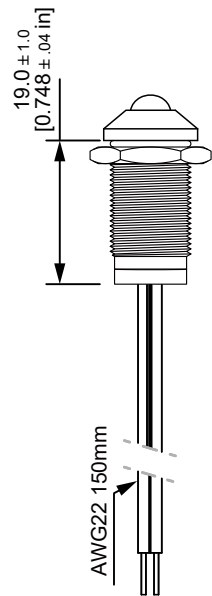
RECESSED



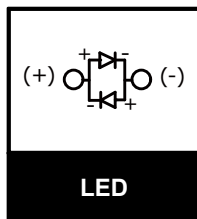
FLUSH



PROMINENT

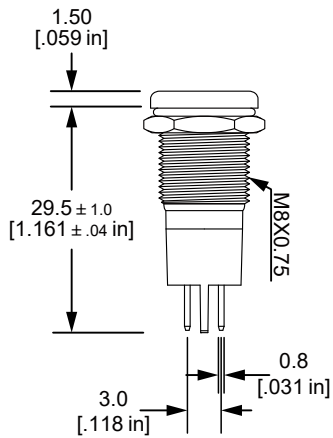
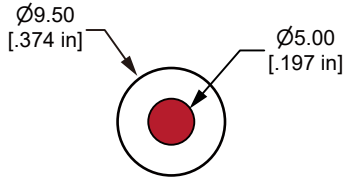


Panel Thickness:
1 ~ 6mm

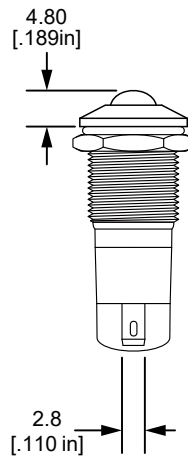


DIMENSIONS

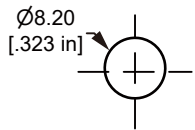
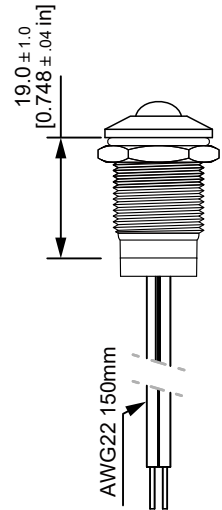
PI08



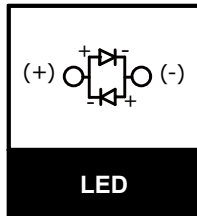
FLUSH



PROMINENT



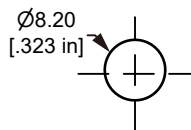
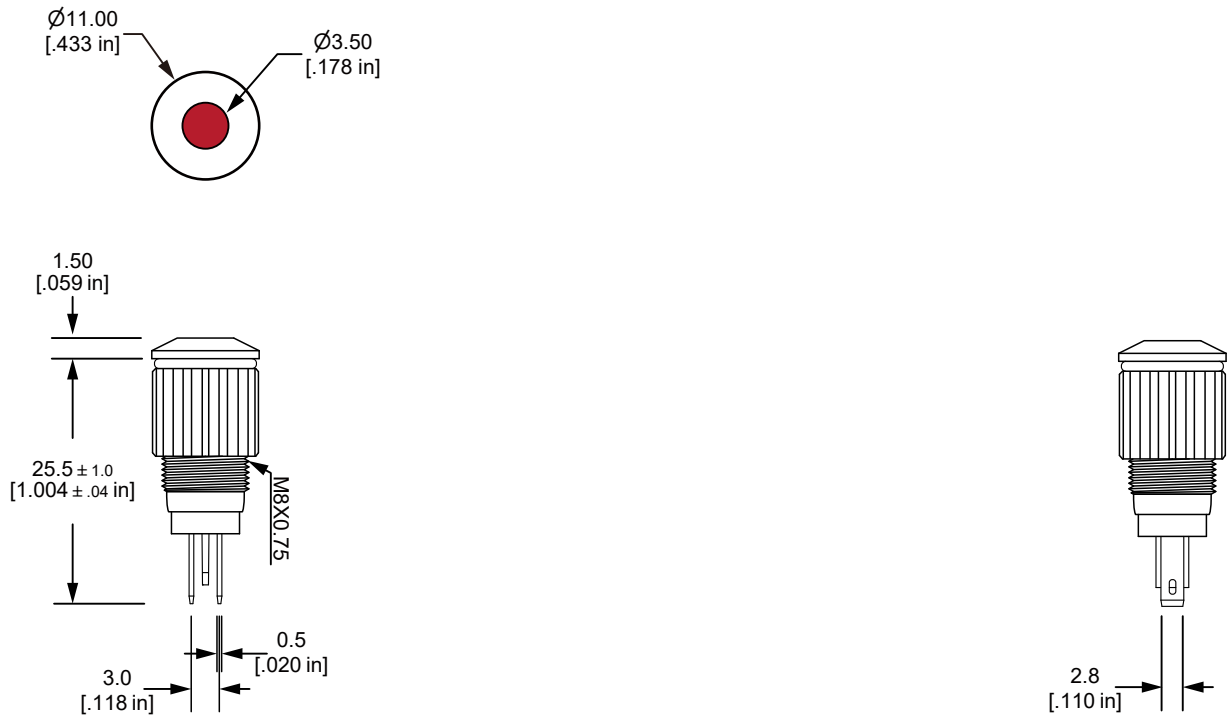
Panel Thickness:
1 ~ 6mm



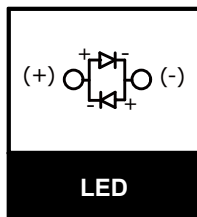
Ø8mm Anti vandal pilot indicator

DIMENSIONS

PV8

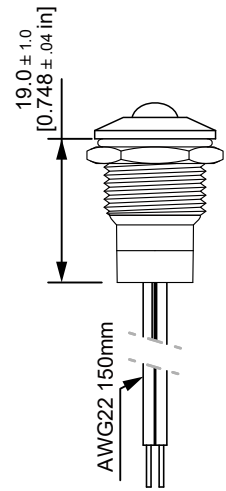
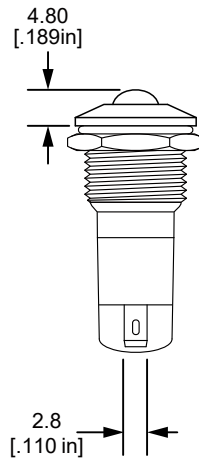
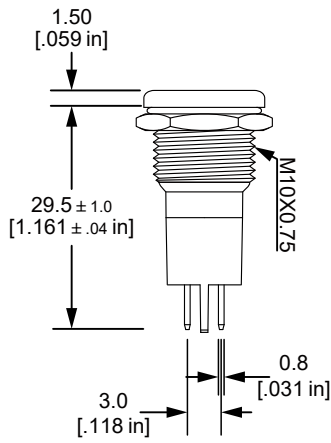
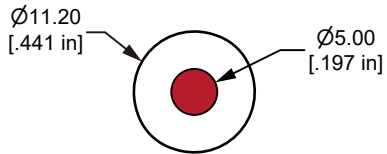


Panel Thickness:
1 ~ 6mm



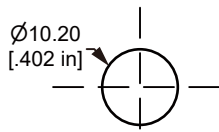
DIMENSIONS

PI10

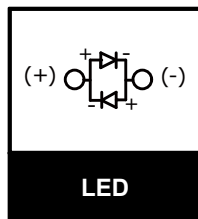


FLUSH

PROMINENT



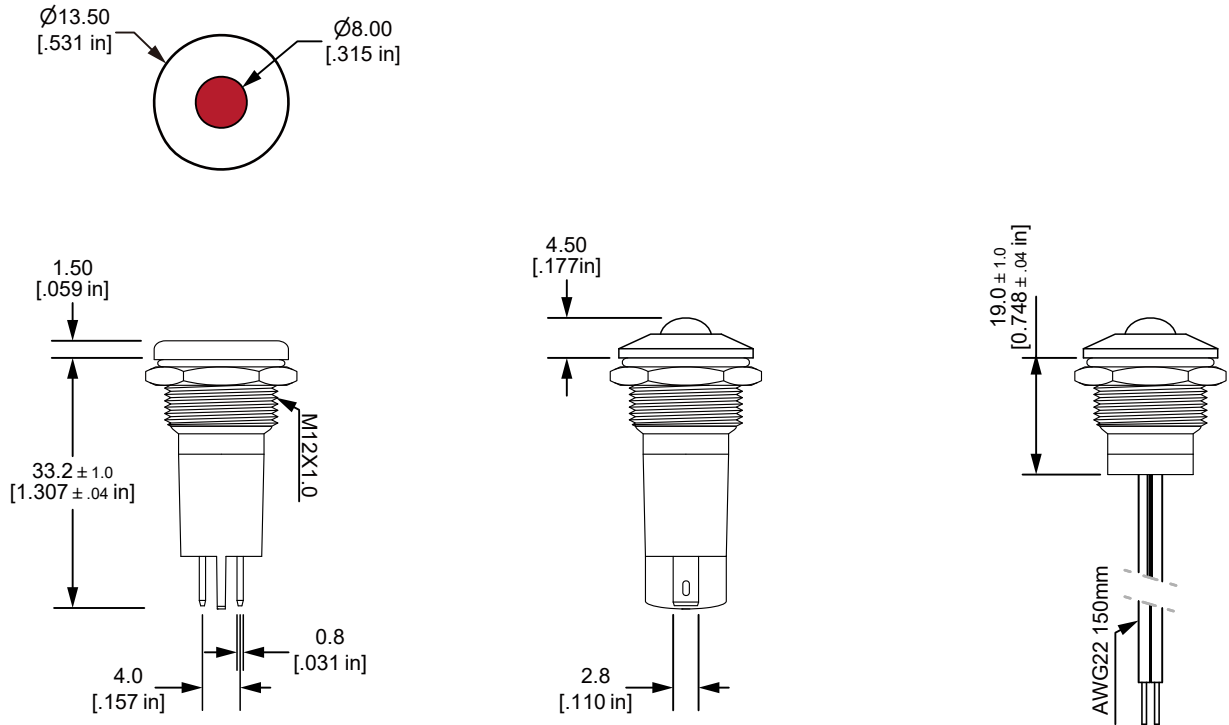
Panel Thickness:
1 ~ 6mm



Ø12mm Anti vandal pilot indicator

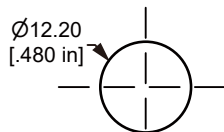
DIMENSIONS

PI12

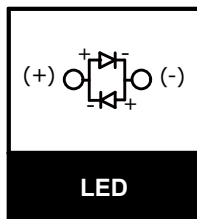


FLUSH

PROMINENT

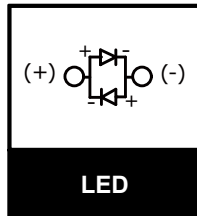
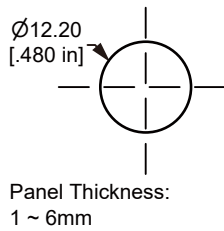
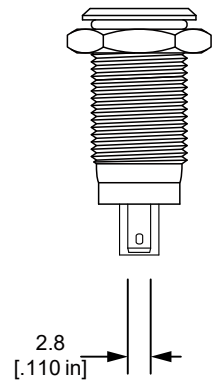
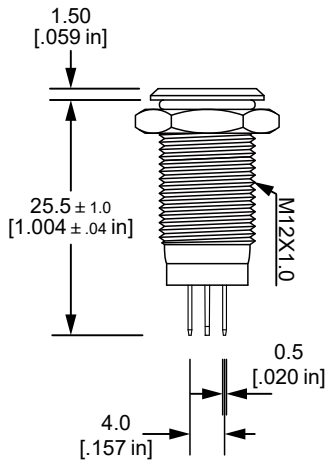
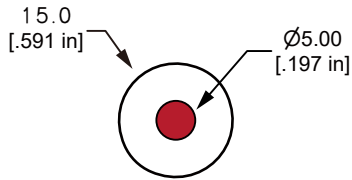


Panel Thickness:
1 ~ 6mm



DIMENSIONS

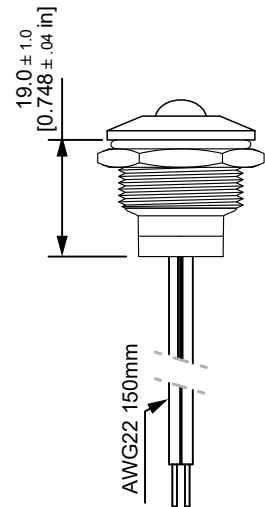
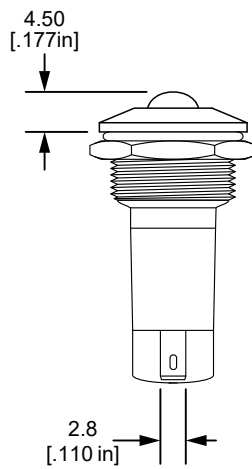
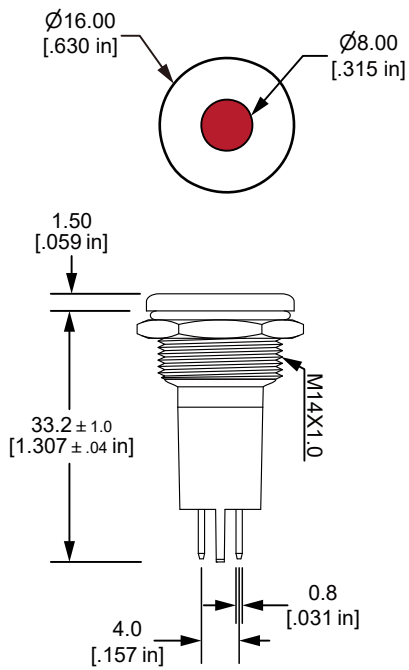
PV12



Ø14mm Anti vandal pilot indicator

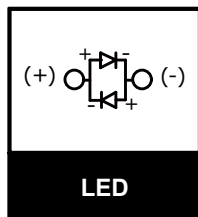
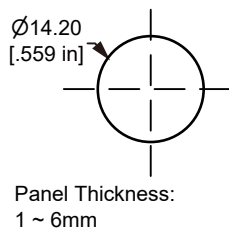
DIMENSIONS

PI14



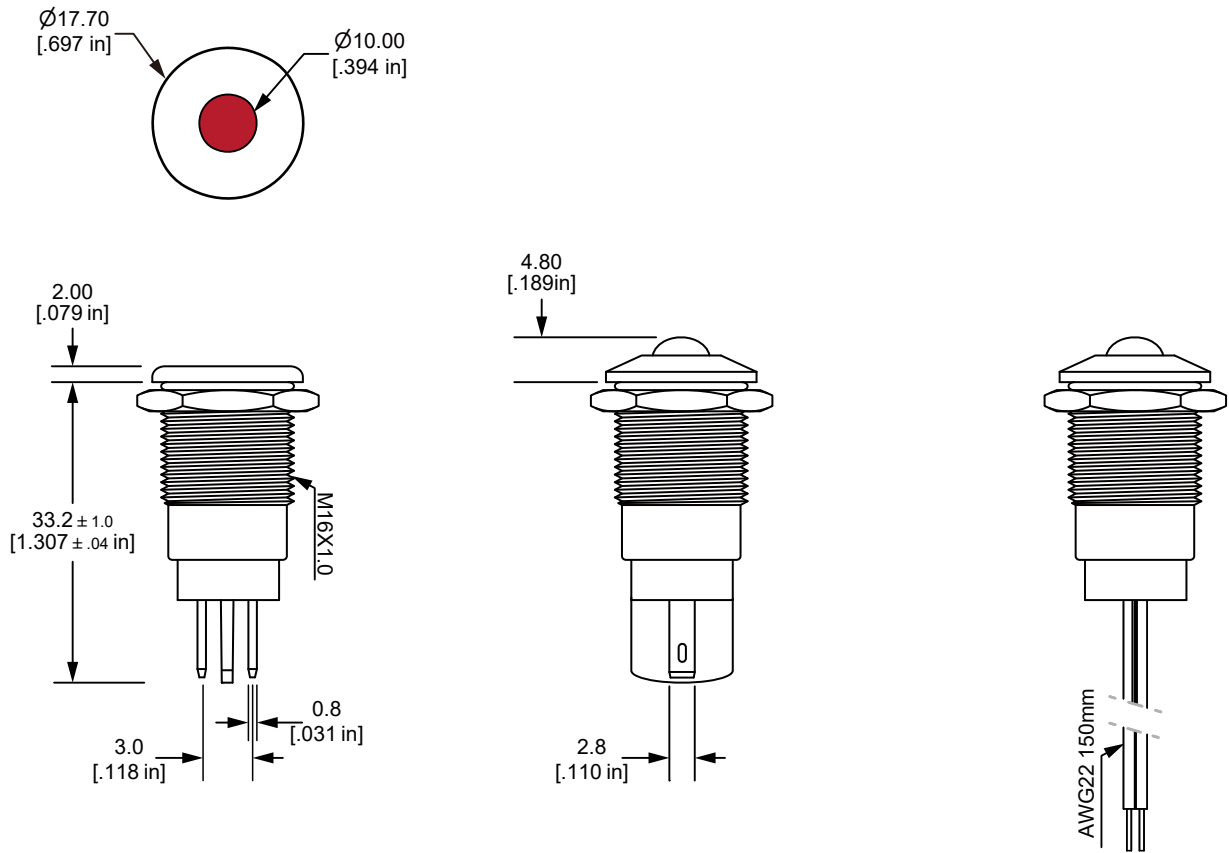
FLUSH

PROMINENT



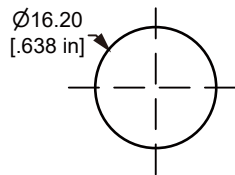
DIMENSIONS

PI16

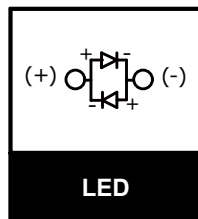


FLUSH

PROMINENT



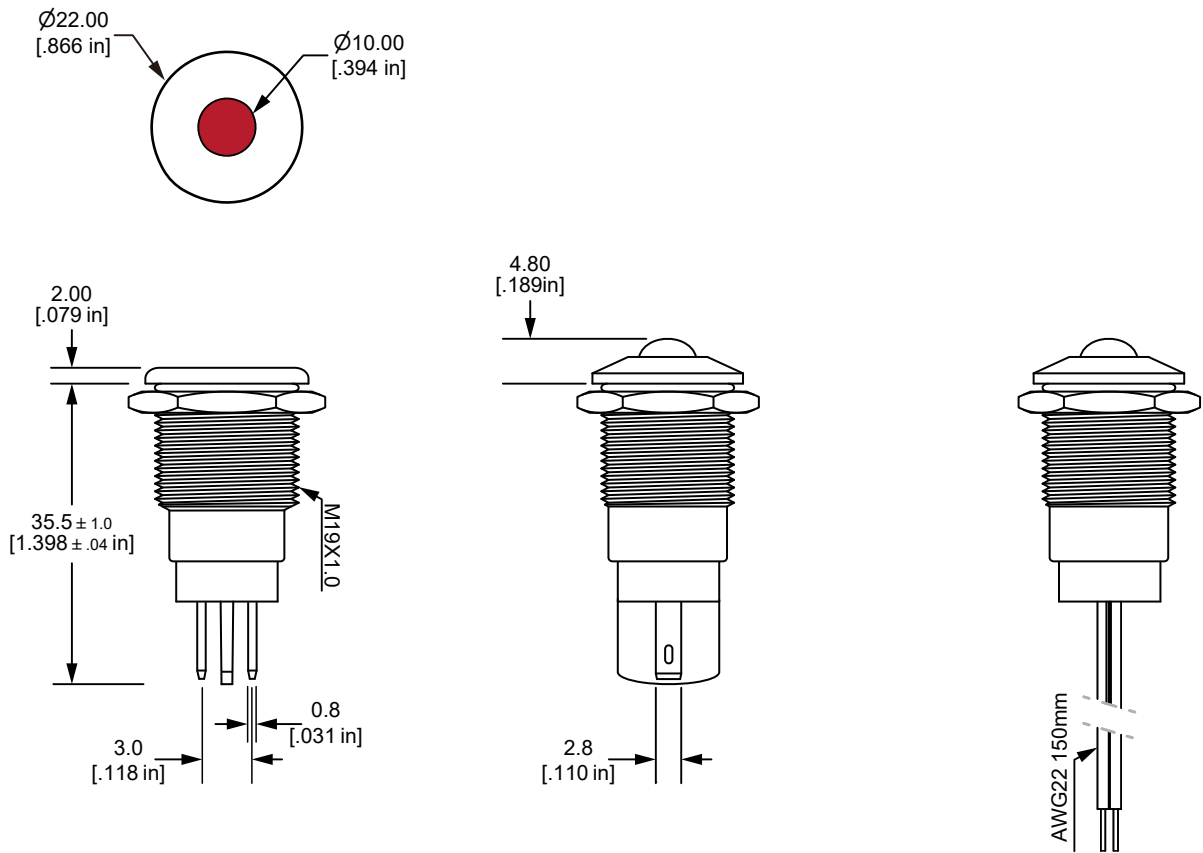
Panel Thickness:
1 ~ 10mm



Ø19mm Anti vandal pilot indicator

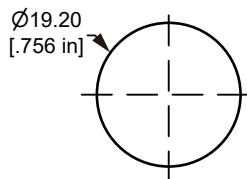
DIMENSIONS

PI19



FLUSH

PROMINENT



Panel Thickness:
1 ~ 10mm

