

# Anti vandal toggle switch

## Applications / Markets



## SPECIFICATIONS

**Electrical Rating:** 10A 250VAC  
**Mechanical Life:** 200,000 Cycles  
**Electrical Life:** 6,000 Cycles  
**Contact Resistance:**  $\leq 50m\Omega$  Max.  
**Insulation Resistance:**  $\geq 100M\Omega$  Max..  
**Dielectric Strength:** 2,000VAC  
**Operating/Storage Temperature:** -20°C to 55°C  
**Moisture Protection:** IP67  
**Actuation Force:** 4N  
**Panel Thickness:** 1-10mm  
**Mounting Nut Torque:** 5-14Nm

## FEATURES & BENEFITS

- Simple and Reliable Operation
- Variety LED option
- Ring illumination available
- Many functions available
- IP67 rated
- Soldered wire leads (500mm long) optional

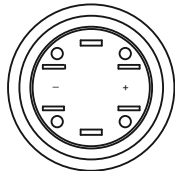
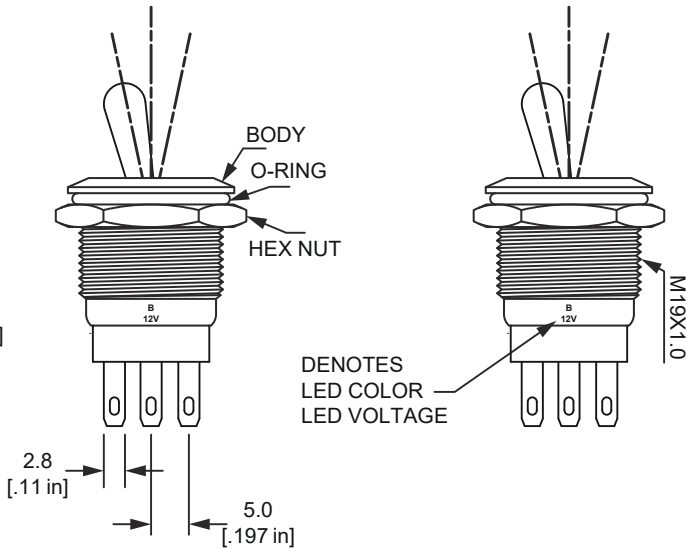
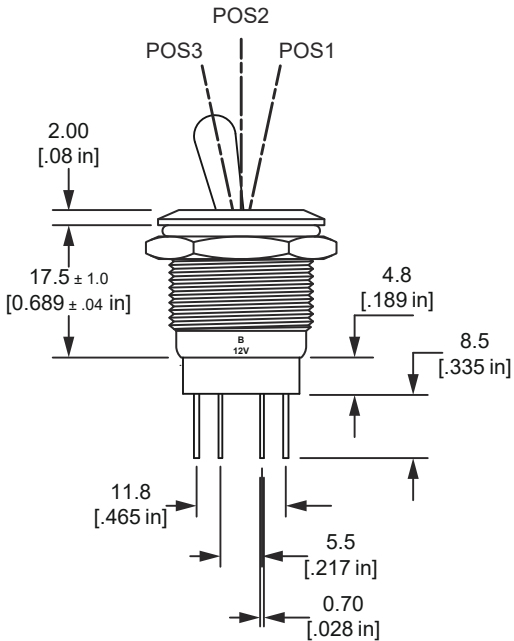
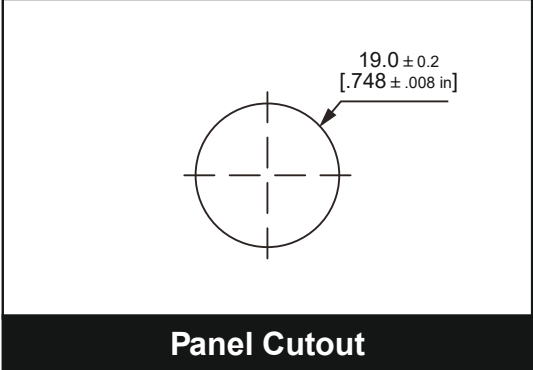
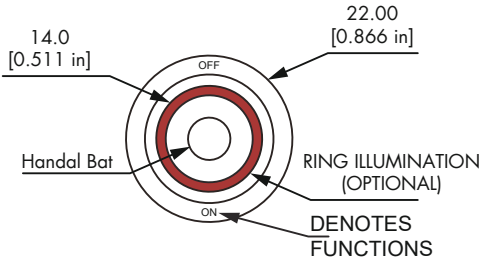
## PART NUMBER CONFIGURATOR

Series	Terminal	Function	Actuator Type	Material Options	Illumination Style Options	Led-Color Options	Illumination Voltage Options
<input type="checkbox"/> LT19 - 19mm <input type="checkbox"/> LT22 - 22mm	<input type="checkbox"/> 1 - 2.8X0.8mm Tabs W - Wire Leads 500mm long	<input type="checkbox"/> 2 - 1 Pole Off - On <input type="checkbox"/> 3 - 1 Pole Off - (On) <b>Middle - End</b> <input type="checkbox"/> C - 1 Pole <input type="checkbox"/> On - Off - On <input type="checkbox"/> D - 1 Pole <input type="checkbox"/> On - Off - (On) <input type="checkbox"/> J - 1 Pole <input type="checkbox"/> (On) - Off - (On)	<input type="checkbox"/> O - Standard Bat or request	<input type="checkbox"/> S - Stainless Steel <input type="checkbox"/> A - Black anodized or request	<input type="checkbox"/> NONE - Non-Illuminated <input type="checkbox"/> R - Ring Illumination	<input type="checkbox"/> NONE - Non-Illuminated <input type="checkbox"/> W - White <input type="checkbox"/> R - Red <input type="checkbox"/> O - Orange <input type="checkbox"/> G - Green <input type="checkbox"/> B - Blue <input type="checkbox"/> Y - Yellow	<input type="checkbox"/> NONE - Base Voltage* <input type="checkbox"/> 3.3V <input type="checkbox"/> 6V <input type="checkbox"/> 12V <input type="checkbox"/> 24V

**NOTES:**  
 Base voltage on LEDs:  
 1.8V @ 20mA for Red, Yellow and Orange LED colors  
 2.8V @ 20mA for Blue, Green and White LED colors  
 ( ) = Denotes function is momentary

*Specifications subject to change without notice*

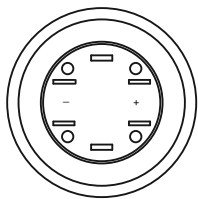
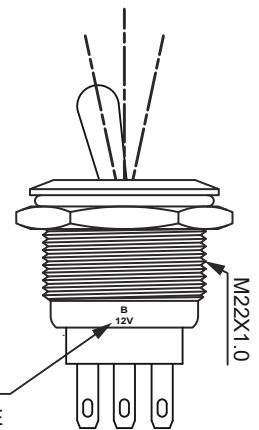
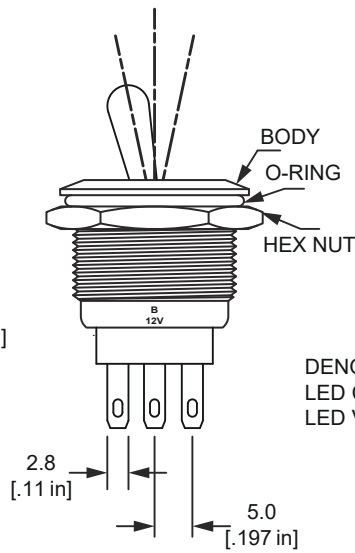
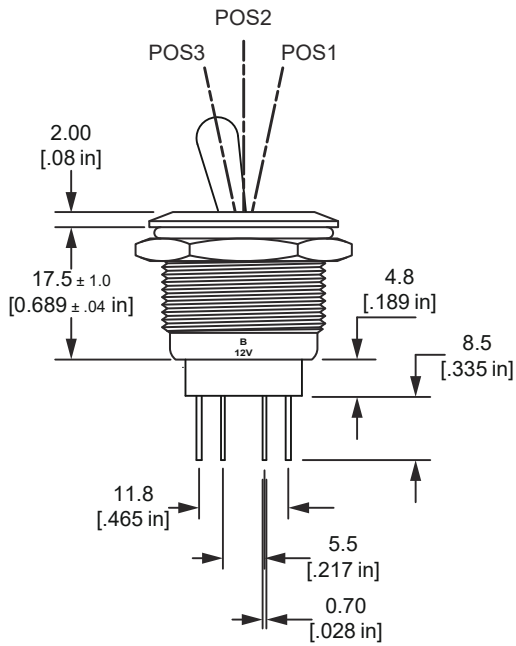
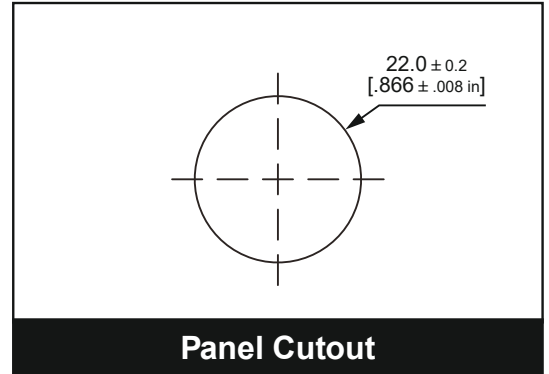
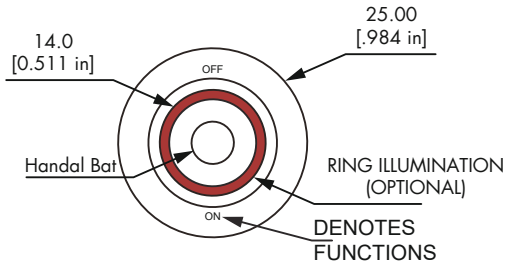
# Anti vandal toggle switch $\varnothing 19\text{mm}$



Switching Functions	POS.3	POS.2	POS.1
2 - OFF - ON	OFF	-	ON
3 - OFF - (ON)	OFF	-	(ON)
C - ON - OFF - ON	ON	OFF	ON
D - ON - OFF - (ON)	ON	OFF	(ON)
J - (ON) - OFF - (ON)	(ON)	OFF	(ON)

NOTES: 1. Lever do not stop at "-" position.  
 2. ( ) = Denotes function is momentary

# Anti vandal switch $\varnothing 22\text{mm}$



	POS.3	POS.2	POS.1
<b>Switching Functions</b>			
2 - OFF - ON	OFF	-	ON
3 - OFF - (ON)	OFF	-	(ON)
C - ON - OFF - ON	ON	OFF	ON
D - ON - OFF - (ON)	ON	OFF	(ON)
J - (ON) - OFF - (ON)	(ON)	OFF	(ON)

NOTES: 1. Lever do not stop at "-" position.  
2. ( ) = Denotes function is momentary