

APPLICATIONS

- Aircraft and Military
- Disinfection Environments
- Electrical Control Panels
- Industrial machinery
- Instrument Panels
- Outdoor Signage
- Safety Applications
- Transportation Dashboards
- Vending and Gaming Machines

FEATURES

- Designed for harsh and outdoor environments
- Wide viewing angle
- Anti-vandal low profile light pipe
- Optical core ends polished to 10 microns for optimal light transmittance
- Resistant to shock and vibration
- ESD protection
- Available in black and clear anodized finishes
- Five different lens colors are available: red, green, clear, blue, and amber
- For best results use narrow viewing angle nondiffused LEDs with output greater than 100 mcd
- For custom light pipe length contact Langir
- RoHS and REACH Compliant



Yacht Controls



Security Devices



Industrial Controls



Kiosks



Electrical Housewares



Medical Equipment



Flexible Light Pipes

PART NUMBER CONFIGURATOR

Series: **LXR**

Indicator Diameter:

08	8mm dia.
10	10mm dia.
12	12mm dia.

*Custom available upon request

Colours Material:

A0	Natural Anodized
A1	Blue Anodized
A2	Black Anodized
A3	Green Anodized
A5	Gold Anodized
A6	Red Anodized
B	Stainless Steel

Lens:

F	Flat
D	Dome

Lens-Color Options:

R	Red Transparent
G	Green Transparent
C	Clear Transparent
B	Blue Transparent
A	Amber Transparent

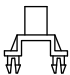


Light Pipe Length Options:

04	4in (101.6mm)
06	6in (152.4mm)
08	8in (203.2mm)
12	12in (304.8mm)

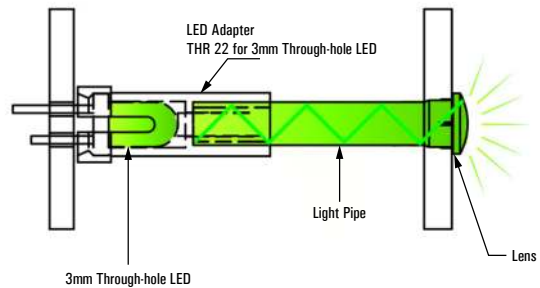
*Custom lengths available upon request

LED ADAPTER OPTIONS

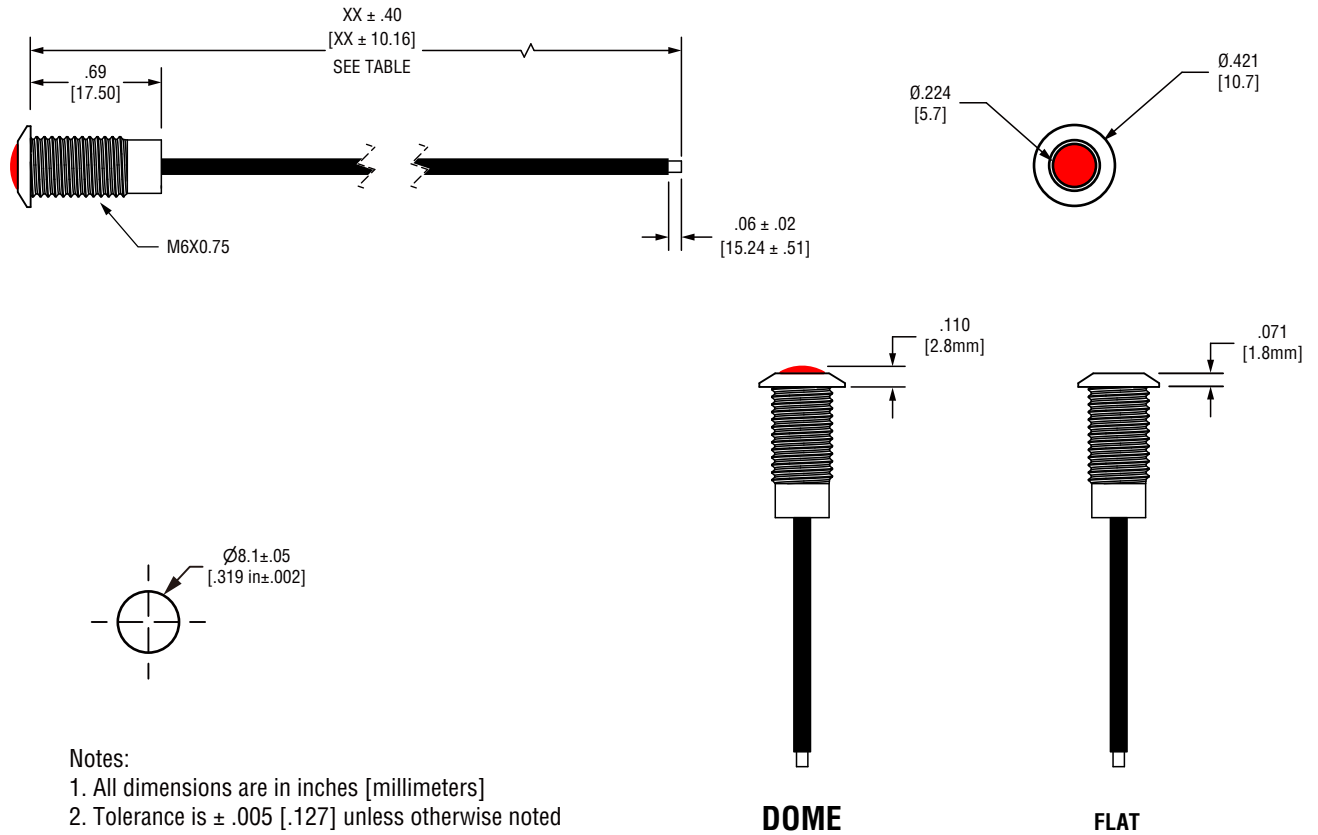
Mounting Options (Order Separately)

 SMD 22	 THR 22	 THR 5 22
-----------------------------------------------------------------------------------------------	-----------------------------------------------------------------------------------------------	-------------------------------------------------------------------------------------------------

SMD 22 for SMD LED
 THR 22 for 3mm Through-hole LED
 THR 5 22 for 5mm Through-hole LED



DIMENSIONS



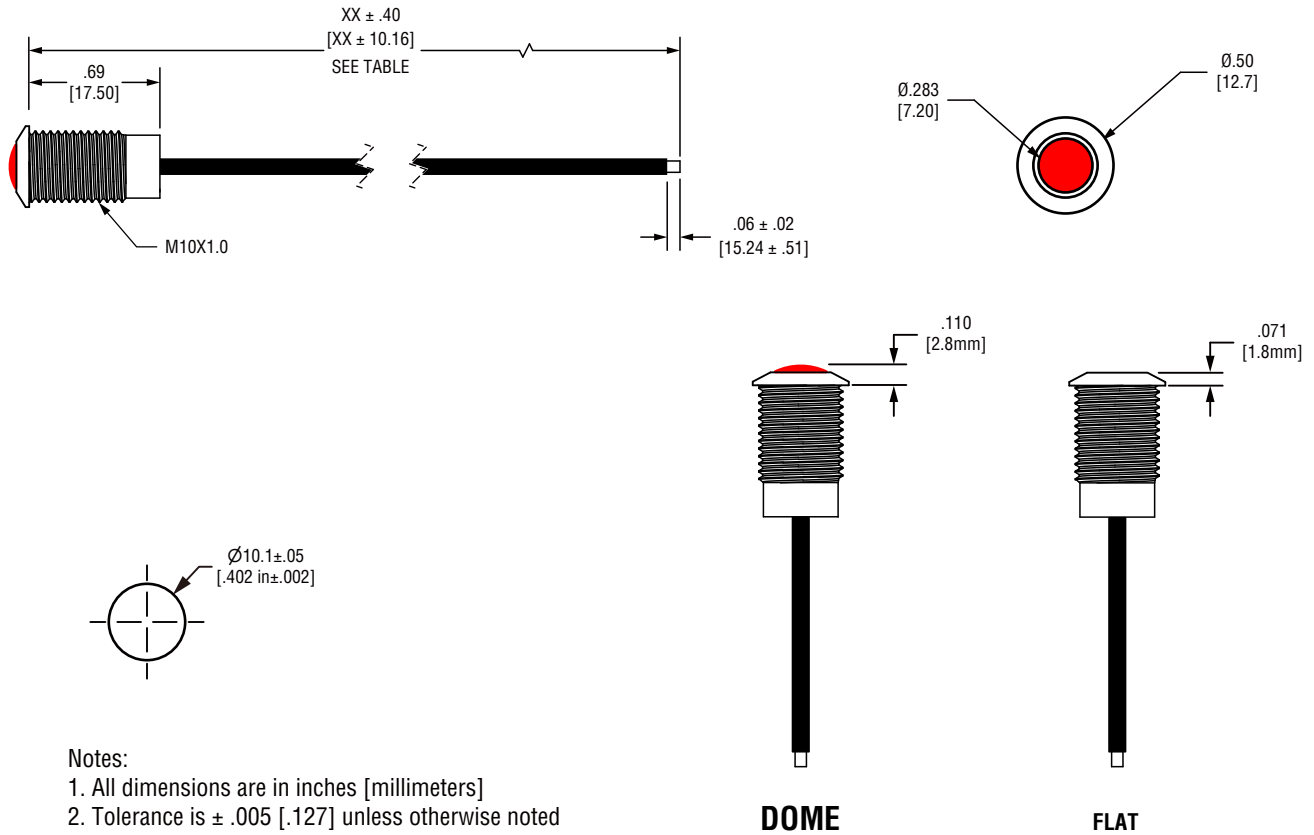
SPECIFICATIONS

Materials	
Body	Aluminum Alloy or Stainless Steel
Lens	Polycarbonate, UL rating 94-V2
Washer	Steel, Zinc Plated
Retaining Nut	Nickel plated-Brass
Fiber Optic	1.5mm optical core, 2.2mm polyethylene cable jacket
Moisture Seal	EPDM

Installation Specifications	
Mounting Hole	$\emptyset 8.1 \pm .05$ (.319 in \pm .002)
Panel Thickness	.059 (1.5mm) Min to .320 (8.1mm) Max

Flexible Light Pipes

DIMENSIONS

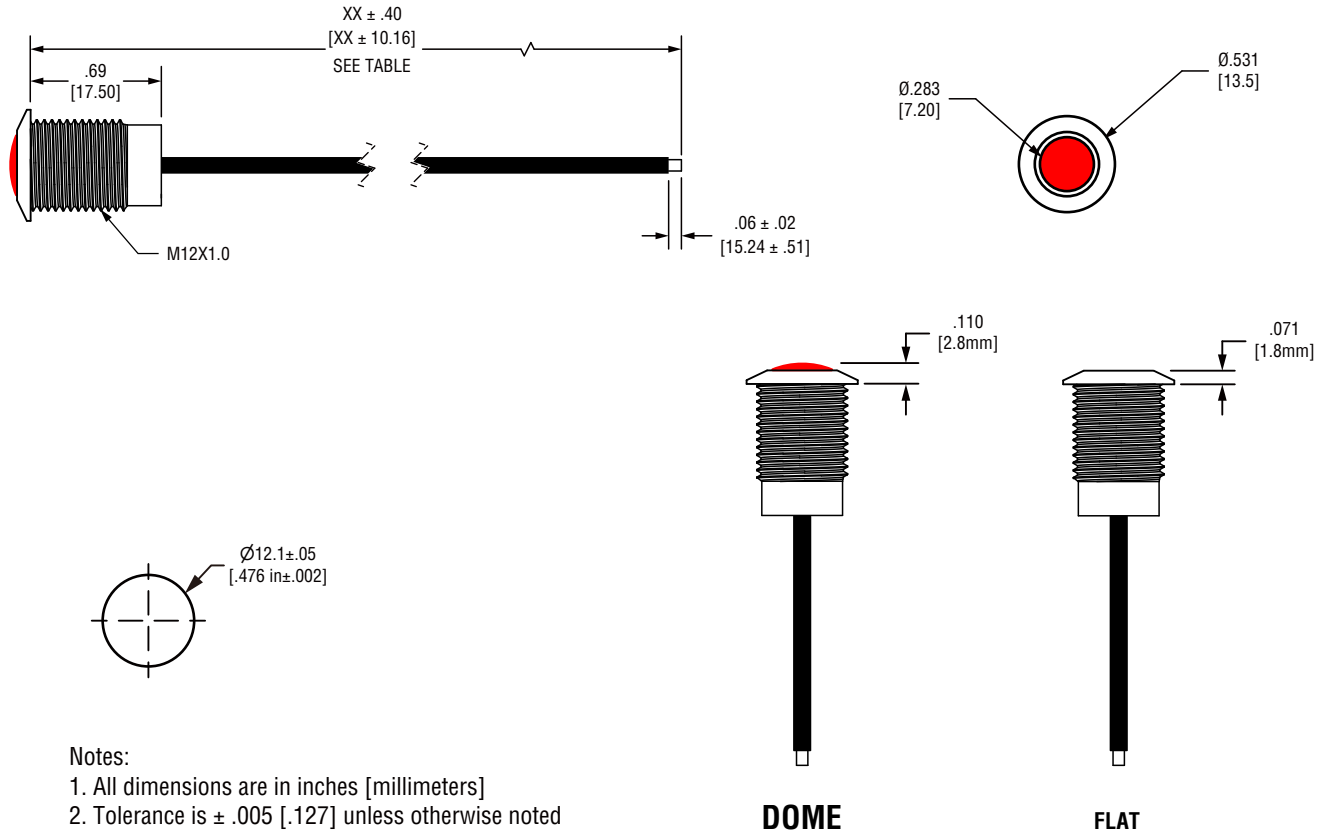


SPECIFICATIONS

Materials	
Body	Aluminum Alloy or Stainless Steel
Lens	Polycarbonate, UL rating 94-V2
Washer	Steel, Zinc Plated
Retaining Nut	Nickel plated-Brass
Fiber Optic	1.5mm optical core, 2.2mm polyethylene cable jacket
Moisture Seal	EPDM

Installation Specifications	
Mounting Hole	$\text{Ø}10.1 \pm .05$ (.402 in $\pm .002$)
Panel Thickness	.059 (1.5mm) Min to .320 (8.1mm) Max

DIMENSIONS



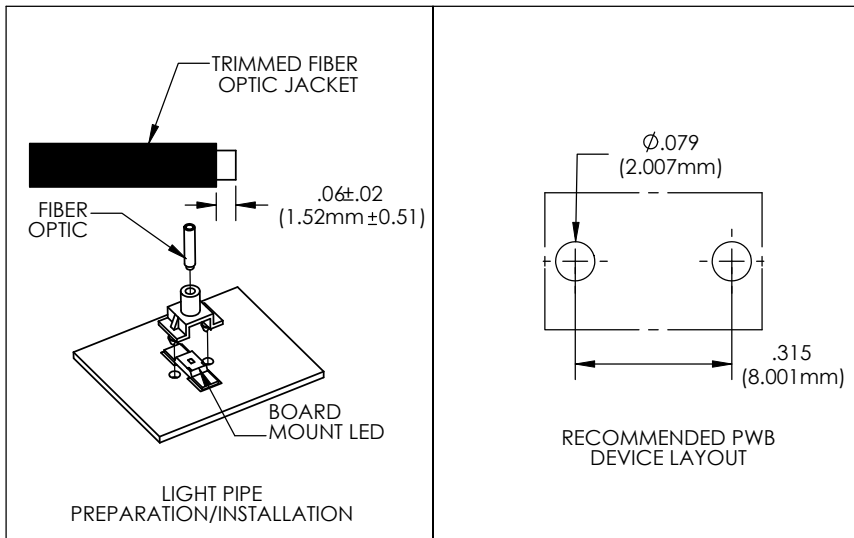
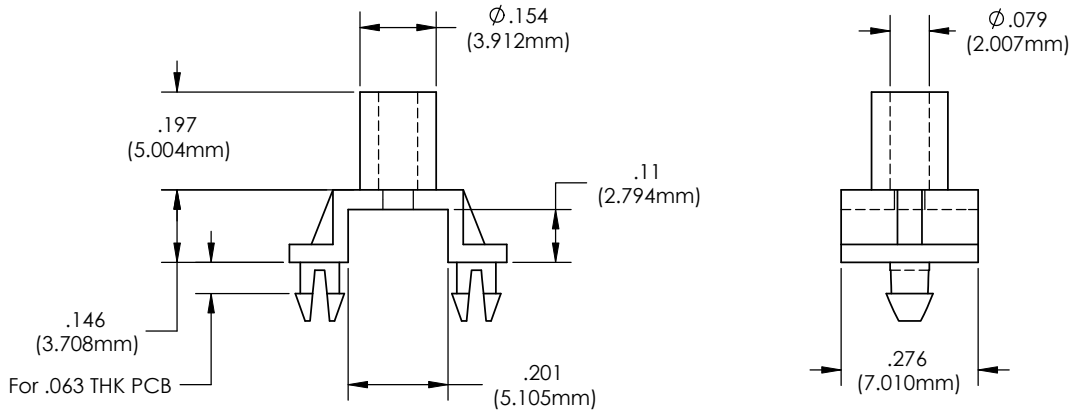
SPECIFICATIONS

Materials	
Body	Aluminum Alloy or Stainless Steel
Lens	Polycarbonate, UL rating 94-V2
Washer	Steel, Zinc Plated
Retaining Nut	Nickel plated-Brass
Fiber Optic	1.5mm optical core, 2.2mm polyethylene cable jacket
Moisture Seal	EPDM

Installation Specifications	
Mounting Hole	$\text{Ø}12.1 \pm .05$ (.476 in \pm .002)
Panel Thickness	.059 (1.5mm) Min to .320 (8.1mm) Max

LED ADAPTER SMD 22

MATERIAL : NYLON 6/6, BLACK UL 94-V2

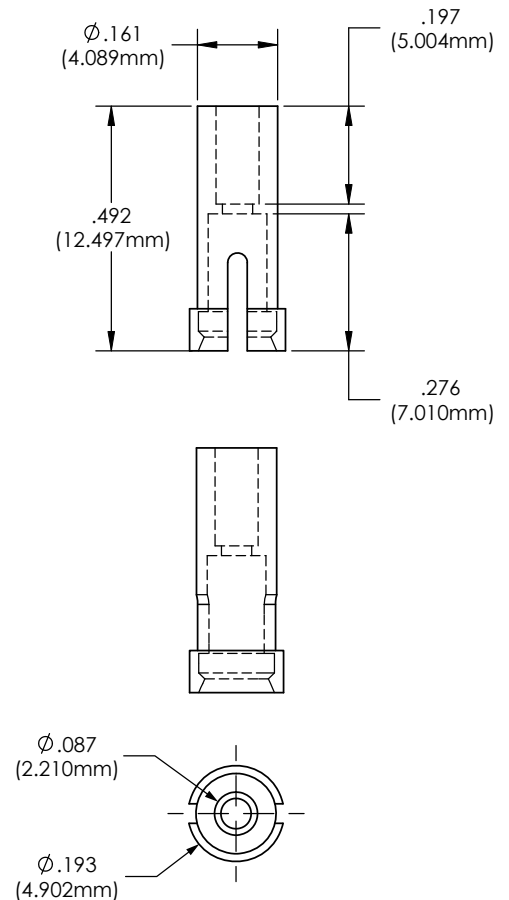
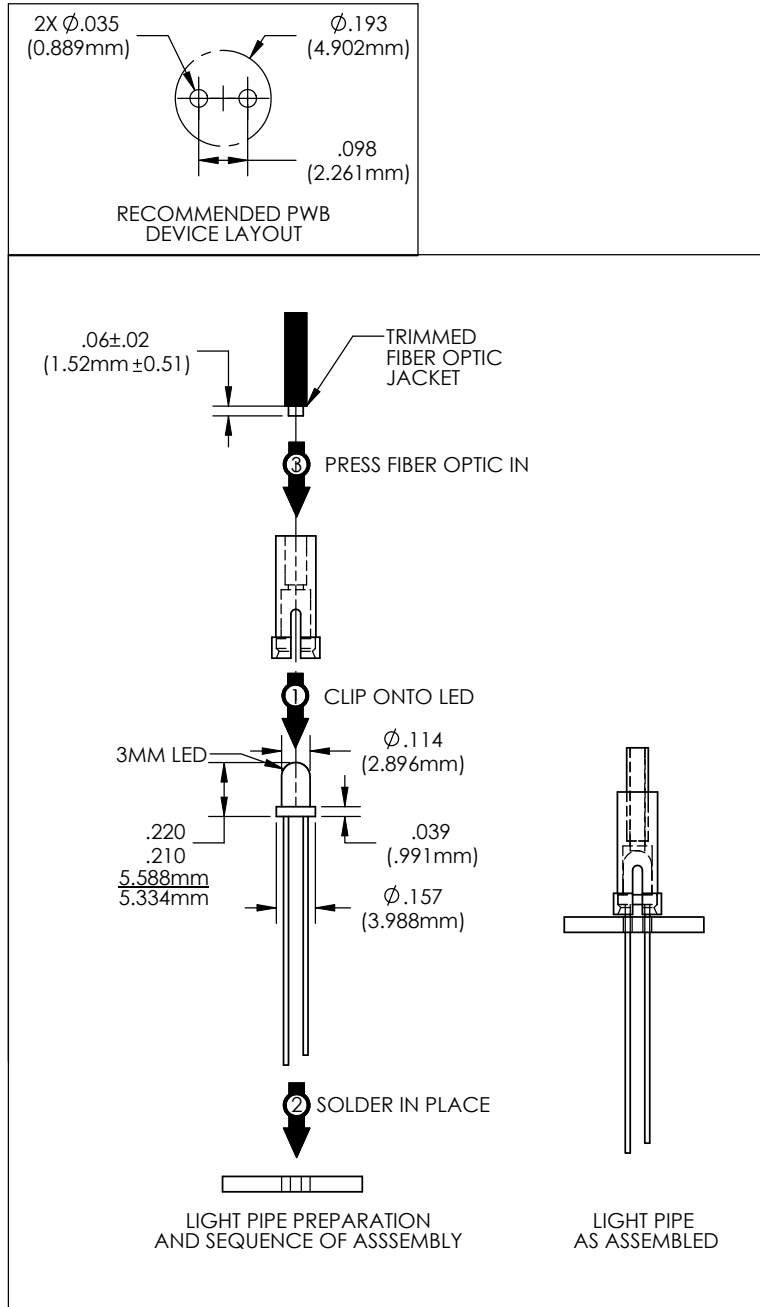


NOTES

1. ROHS COMPLIANT
2. -40°C TO 85°C OPERATING TEMPERATURE
3. SUITABLE FOR LIGHT PIPE WITH $\Phi 2.2$ MM JACKET AND OPTICAL CORE NO GREATER THAN $\Phi 1.5$ MM.
4. DO NOT INSTALL PRIOR TO SOLDERING
5. FOR BEST RESULTS USE ONLY NARROW VIEWING ANGLE NON-DIFFUSED LEDES WITH OUTPUT POWER GREATER THAN 100mcd

LED ADAPTER THR 22

MATERIAL: NYLON 6/6, BLACK UL 94-V2

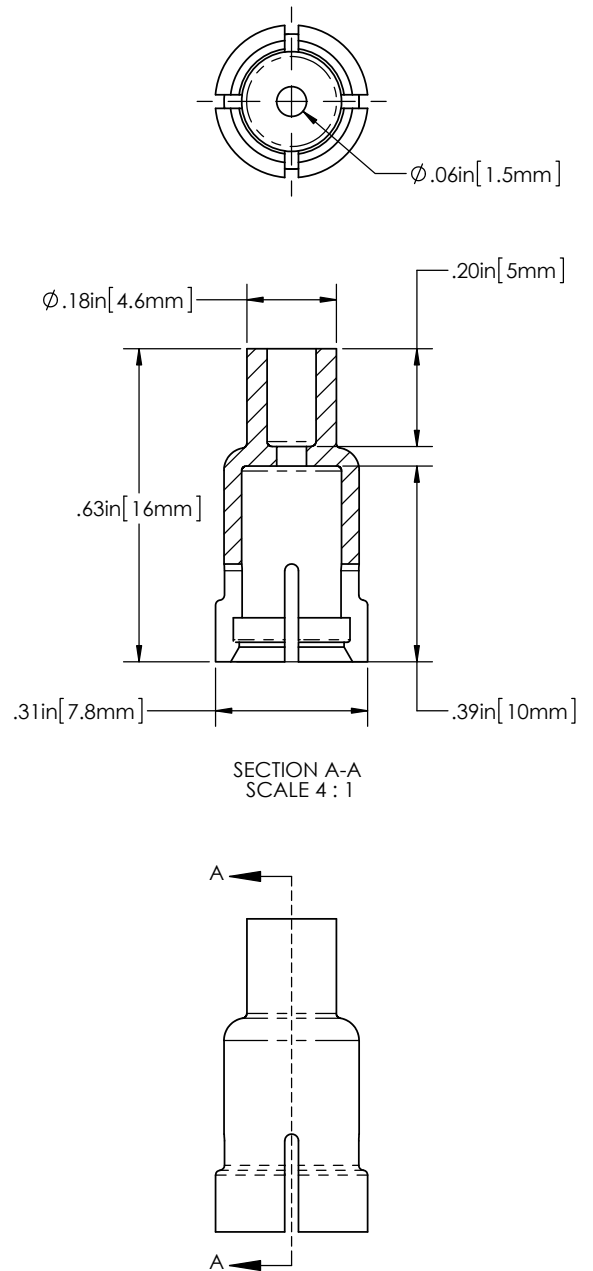
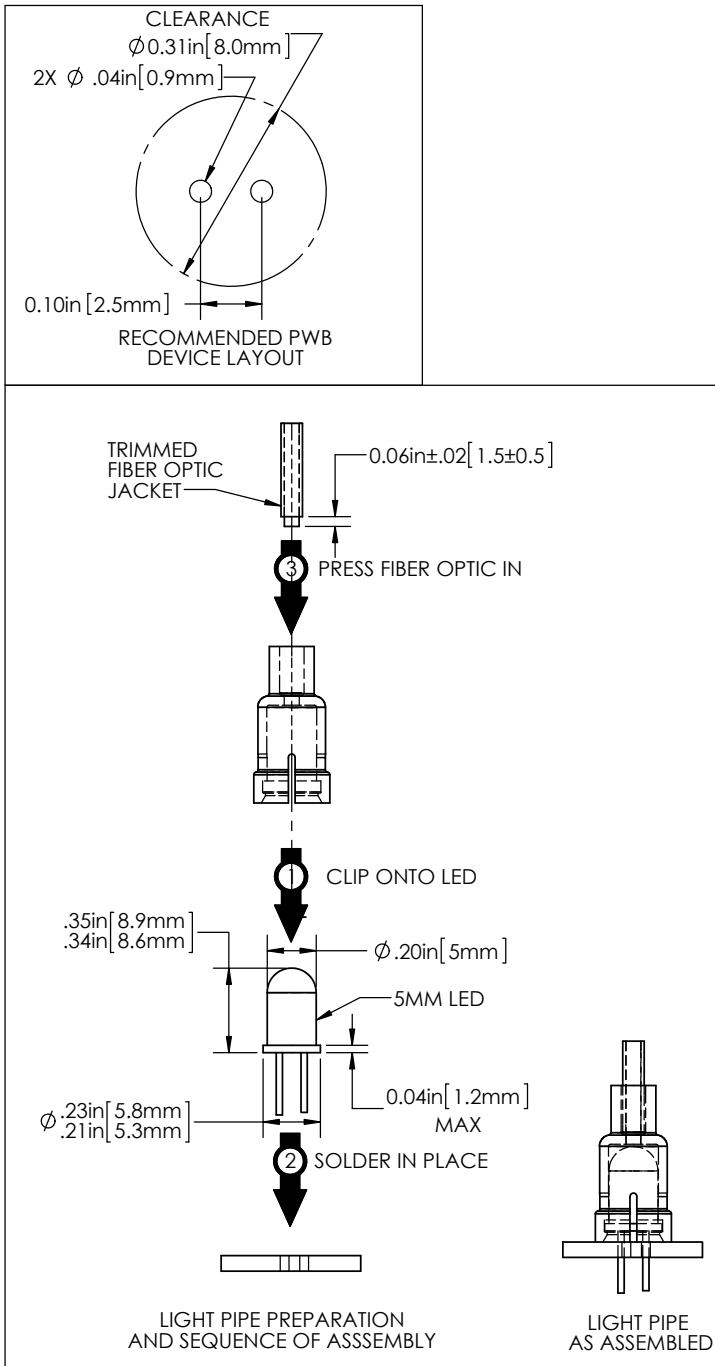


NOTES

1. ROHS COMPLIANT.
2. UL 94V-2 FLAMMABILITY RATING.
3. -40°C TO 85°C OPERATING TEMPERATURE.
4. SUITABLE FOR LIGHT PIPE WITH $\phi 2.2$ MM JACKET AND OPTICAL CORE NO GREATER THAN $\phi 1.5$ MM.
5. DO NOT WAVE SOLDER WITH THIS DEVICE.
6. FOR BEST RESULTS USE ONLY NARROW VIEWING ANGLE NON-DIFFUSED LEDS WITH OUTPUT POWER GREATER THAN 100mcd.

5mm Through Hole LED

LED ADAPTER THR 5 22



NOTES

1. ROHS COMPLIANT.
2. UL 94V-2 FLAMMABILITY RATING.
3. -40°C TO 85°C OPERATING TEMPERATURE.
4. SUITABLE FOR LIGHT PIPE WITH $\varnothing 2.2\text{MM}$ JACKET AND OPTICAL CORE NO GREATER THAN $\varnothing 1.5\text{MM}$.
5. DO NOT WAVE SOLDER WITH THIS DEVICE.
6. FOR BEST RESULTS USE ONLY NARROW VIEWING ANGLE NON-DIFFUSED LEDS WITH OUTPUT POWER GREATER THAN 100mcd.

MATERIAL: NYLON 6/6, BLACK UL 94-V2