

Emergency Stop Switch

Ø16mm/Ø19mm/Ø22mm



PRODUCT DESCRIPTION

The Turn to Release Emergency Stop Switches provides you with a way to stop your actuator instantly in case of emergency. All you do is press the button down and it will lock in the Off position, stopping the movement of your actuator. To put it back in the On position, just turn the switch clockwise to release it. Please be aware you may require a relay for actuator control.

SPECIFICATIONS

Max Rating: Ith: 5A, Ui: 250VAC
Switch Rating: 250VAC 0.5A
Mechanical Life: 1,000,000 Cycles
Electrical Life: 50,000 Cycles
Contact Resistance: 50mΩ Max.
Insulation Resistance: 1000 MΩ Min.
Dielectric Strength: 2,000VAC
Operating/Storage Temperature: -20°C to 55°C
Panel Thickness: 1-5mm
Mounting Nut Torque: 5-14Nm

FEATURES & BENEFITS

- 16, 19 or 22mm diameter panel cutout
- Push lock - Turn Release
- 1NO1NC, 2NO2NC
- Solder lug (2.8X0.5mm)
- IP65 rated

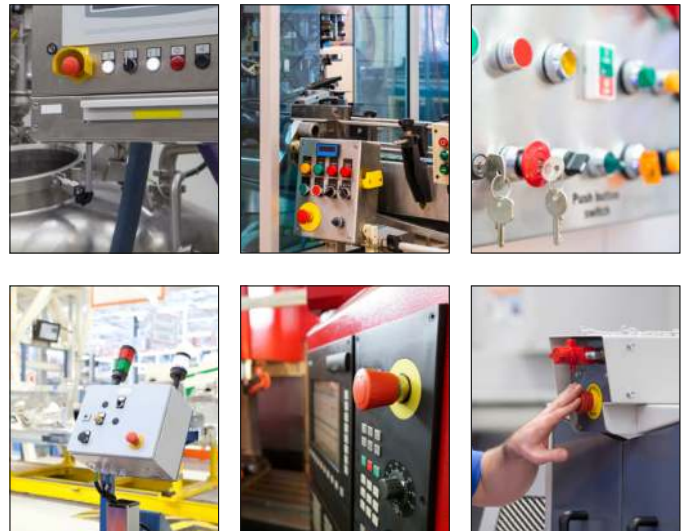
PART NUMBER CONFIGURATOR

Series	Actuator ** Options	Terminal Options	Function Options	Material Options	Graphic (Optional)
<input type="checkbox"/> ES16 - 16mm* ES19 - 19mm ES22 - 22mm	<input type="checkbox"/> NONE - Smooth edge K - Knurled edge	<input type="checkbox"/> NONE Solder-lug (2.8x0.5)	<input type="checkbox"/> 11-1NO1NC 22-2NO2NC	<input type="checkbox"/> S - Stainless Steel N - Nickel Plated-brass	<input type="checkbox"/> Customizable

NOTES:
 * ES16 for plastic body.
 ** Accept customizable.

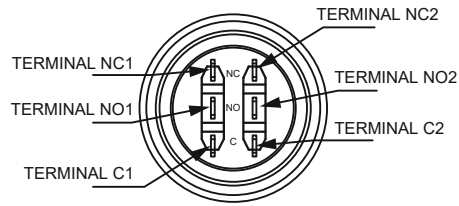
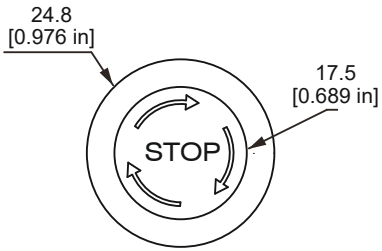
Specifications subject to change without notice

Applications / Markets

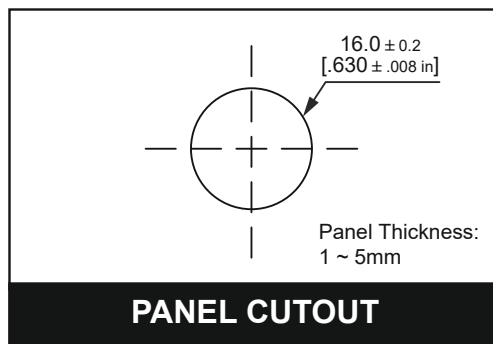
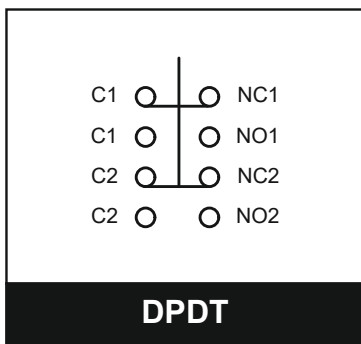
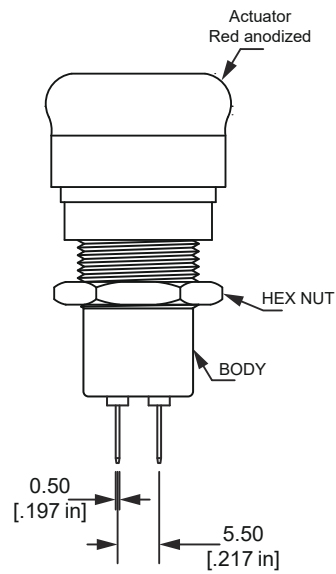
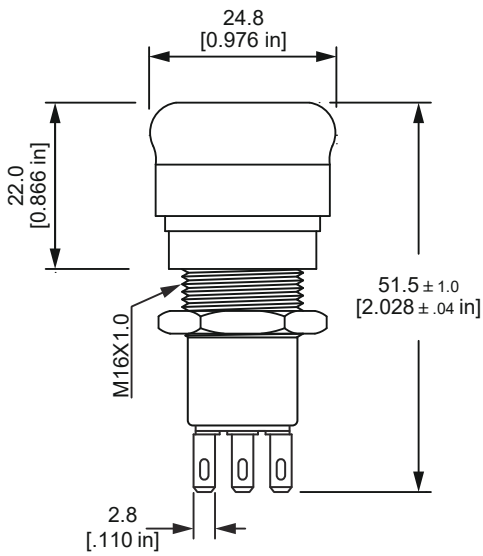


Emergency Stop Switch Ø16mm

DIMENSIONS

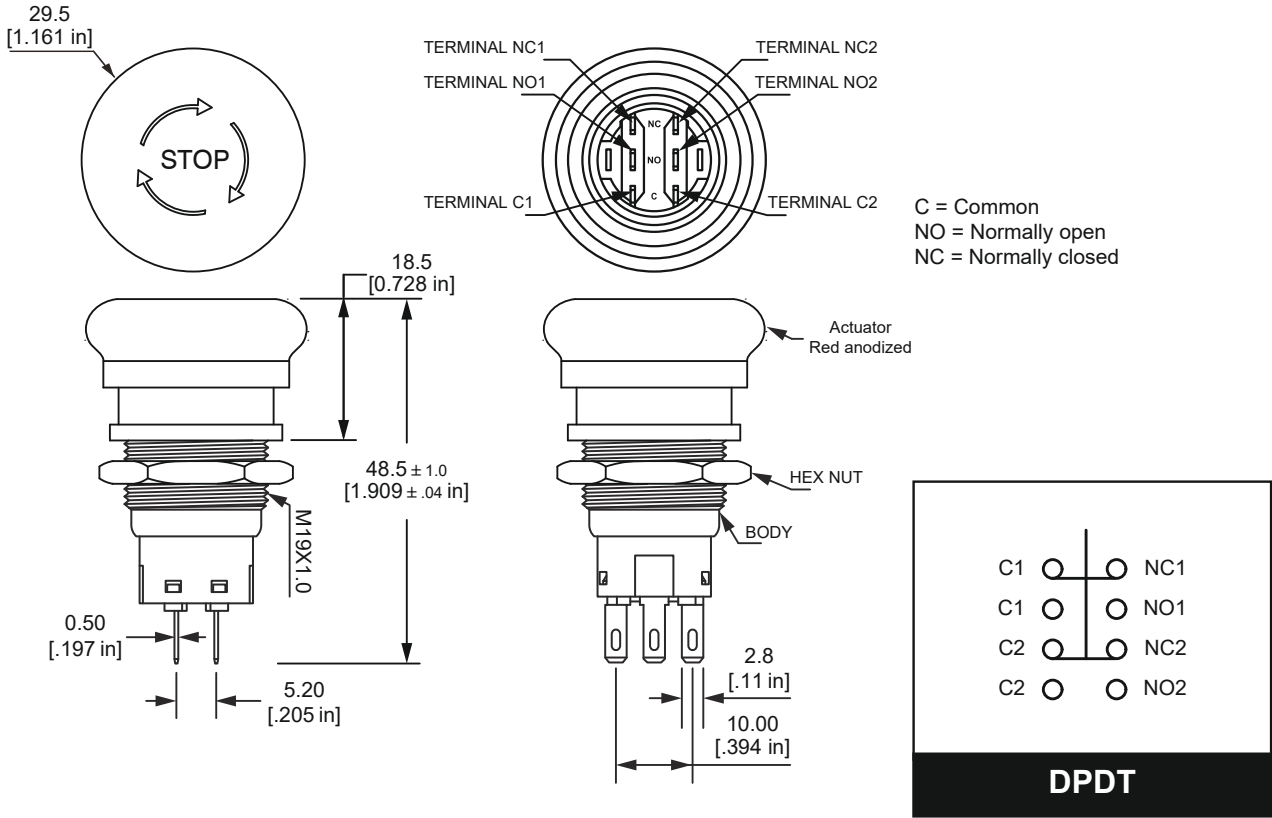


C = Common
NO = Normally open
NC = Normally closed

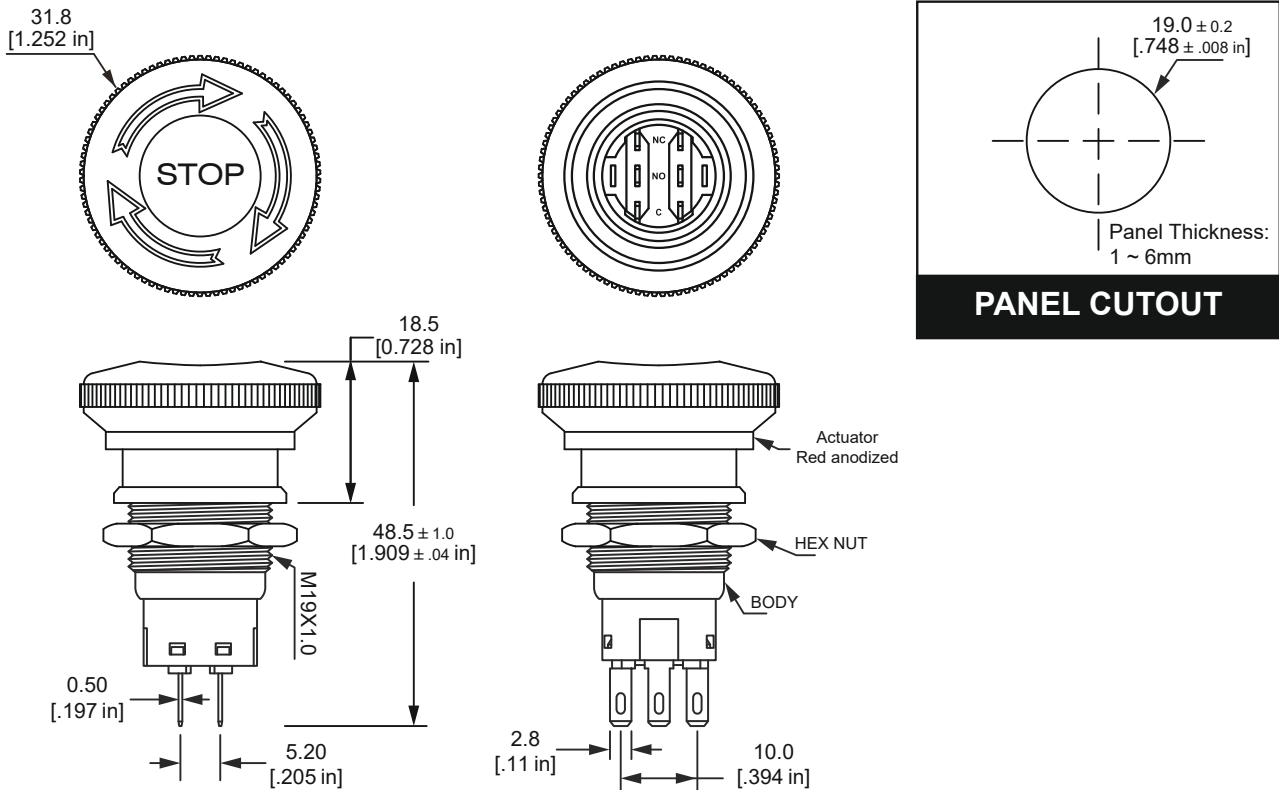


Emergency Stop Switch Ø19mm

SMOOTH EDGE



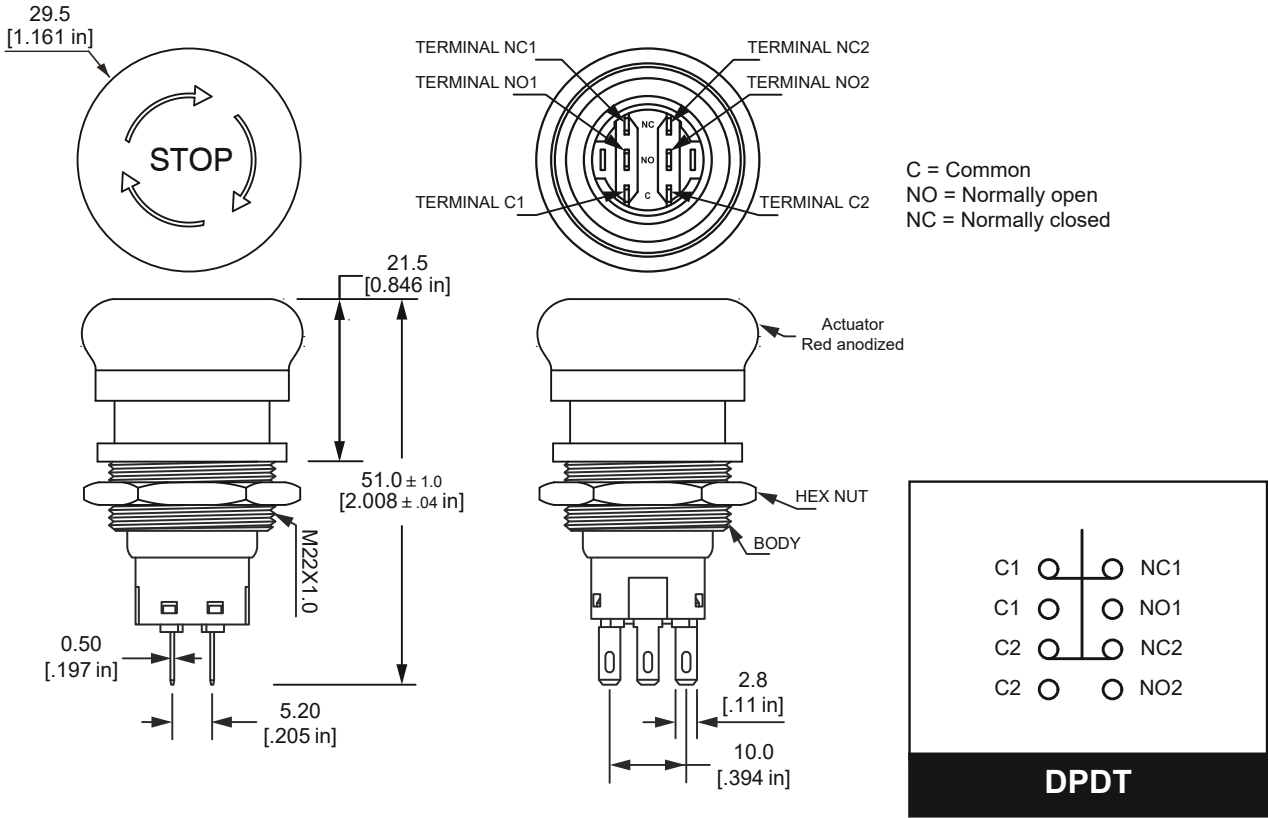
KNURLED EDGE



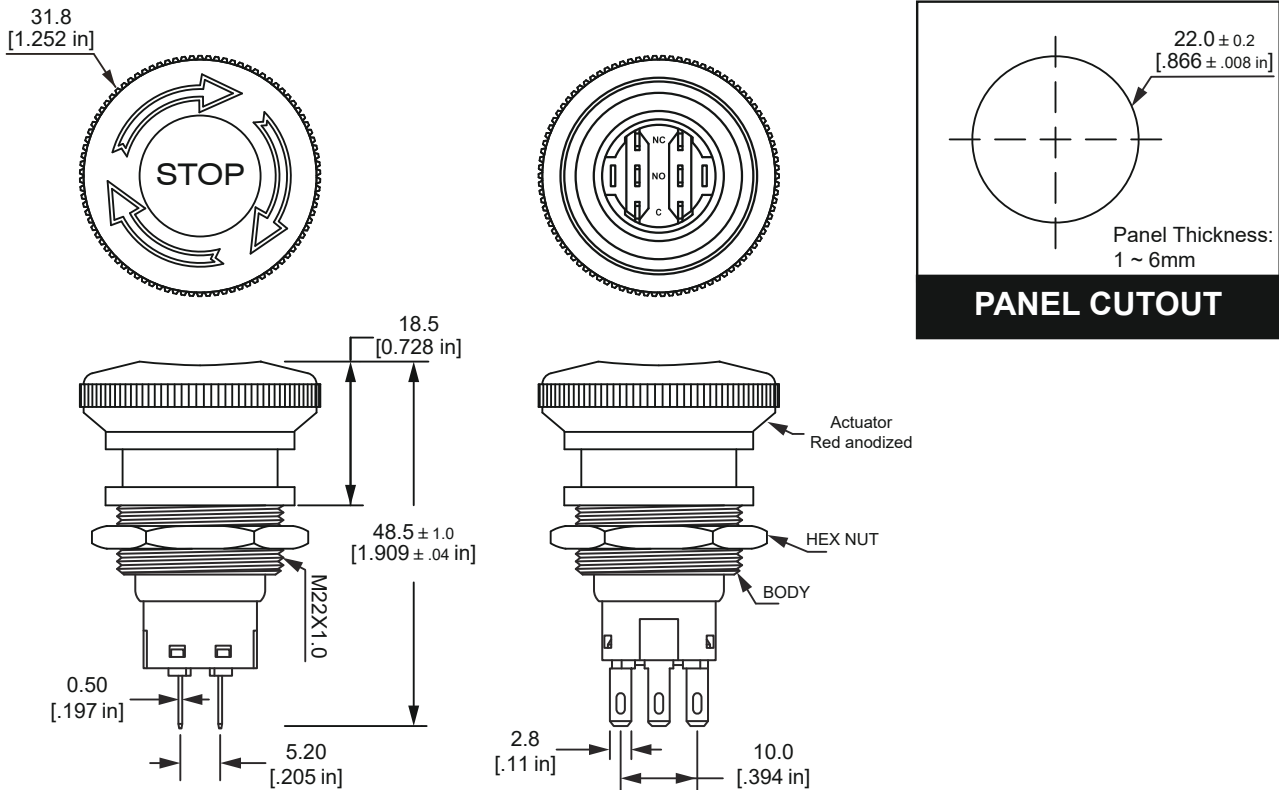
Emergency Stop Switch

Ø22mm

SMOOTH EDGE



KNURLED EDGE



©Copyright Langir Electric All Right Reserved.

Disclaimer: The appearance of the products listed on this catalogue, color, parameters are for reference only, issued a kind of Langir Electric Company shall prevail.

Langir Electric Company reserves the right to modify or cancel the relevant parameters of this catalogue does not advance notice. If in doubt, please contact your sales representative.



YUEQING LANGIR ELECTRIC CO., LTD.

ADD: 2F, NO. 10 LONGHE EAST RD, LIUSHI, YUEQING, ZHEJIANG, CHINA 325604

FAX: 86 (577) 62737671

TEL: 86 (577) 62737672 62737670

MAIL: langir@langir.com

[Http://www.langir.com](http://www.langir.com)