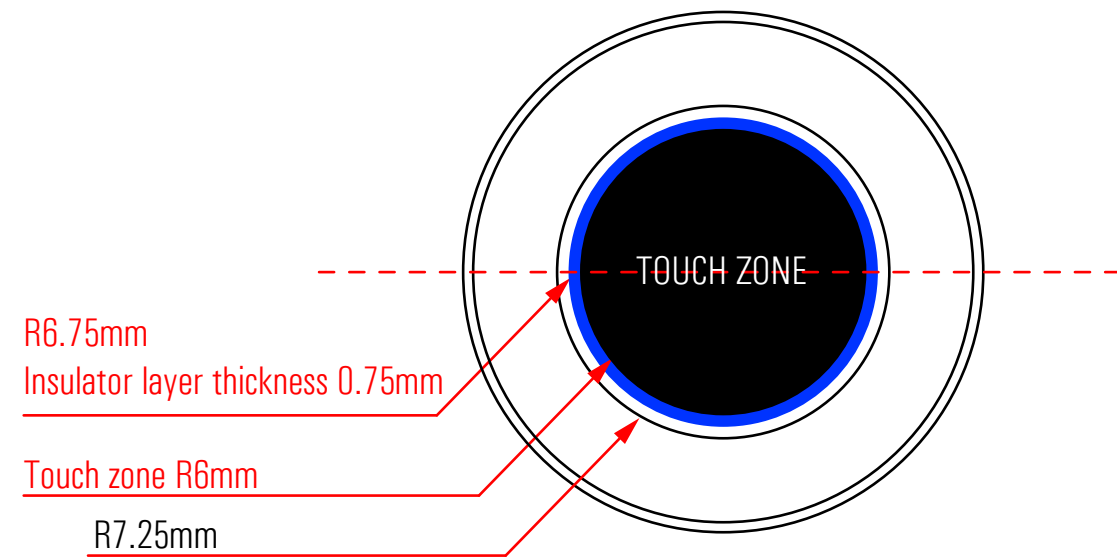
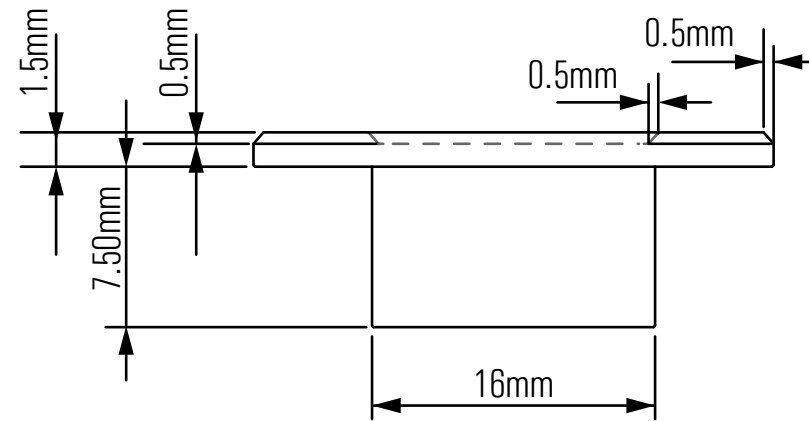


CP16B



ZONE	REV.	DESCRIPTION	DATE	SIGNATURE
	1	16MM STAINLESS STEEL MOMENTARY CAPACITIVE SWITCH	05.03.2019	
2	2			
3	3			
4	4			

MATERIALS

- Case : stainless steel 316L
- Multi-wire leads section 0,22 mm² length 300 mm

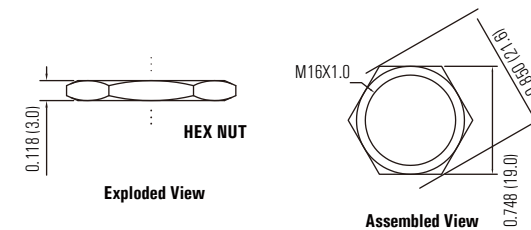
ENVIRONMENTAL SPECIFICATIONS

- Sealing : IP68 and IP69K according to IEC 60529
- Triggered by flowing water
- Impact resistance : IK10
- Operating temperature : -20°C to +65°C
- ESD : complies with EN61000-4-2 (extended) ± 8KV (20 contacts) and ± 15KV (20 air discharges)

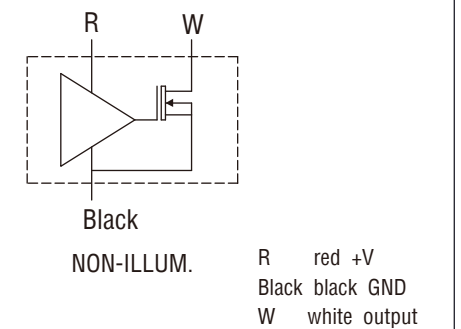
ELECTRICAL AND GENERAL SPECIFICATIONS

- Max. current/voltage rating : 200mA 24VDC
- Supply voltage : 5 to 24VDC
- Life expectancy : 50 million cycles
- Power consumption non-illuminated : 7mA
- Operating force : ON
- Output type : NPN

Millimetre Dimensions in Brackets



SWITCH SCHEME:



ITEM NO.	QTY.	DESCRIPTION	PART NUMBER
1	1	STAINLESS STEEL 316L	
2	1	NBR	
3	1	NICKEL BRASS-PLATED M16X1.0	
4	1	WIRE LEADS(red, white and black)	
5			
6			
7			
8			

Itemref	Quantity	Title/Name, designation, material, dimension etc	Article No./Reference
Approved by: Panda Hsiung	Designed by: Panda Hsiung	Filename	Drawing_n
		Piezo switches	Scale 1:1
			Draw Date 05.03.2019



4F, NO. 188 LIUQING NORTH RD,
LIUSHI, YUEQING, ZHEJIANG, CHINA
Tel. 86 577 62737672 Fax. 86 577 62737671

16MM SS MOMENTARY CAPACITIVE SWITCH
Cat num: Edition 1 Sheet 1/1