

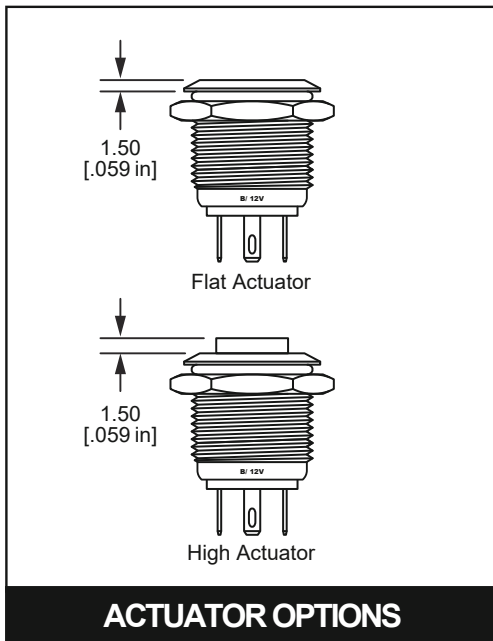
## Anti vandal switch $\varnothing 16\text{mm}$



### APPLICATIONS / MARKETS



### ACTUATOR OPTIONS



### ORDER CODE

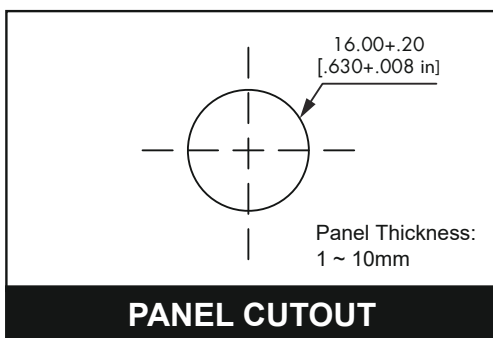
Series	Actuator Options	Terminal Options	Function Options	Material Options	Illumination Style Options	Led-Color Options	Illumination Voltage Options	Graphic Options
□	□	□	□	□	□	□	□	□ □ □
Ls16	F- Flat H- High	NONE- Solder-lug (2.8x0.5)	M- Momentary 1- 1NO	S- Stainless steel N- Nickel plated brass A- Anodized aluminum	D- Dot illum. R- Ring illum. NONE- non-illum.	W- White Y- Yellow B- Blue G- Green R- Red O- Orange 3A- Red/ Green/ Blue	NONE- Base voltage* 3.3V 6V 12V 24V 36V	NONE- Non-marking LE- Laser etched

NOTES:  
\* Base voltage on LEDs:  
1.8V @ 20mA for Red, Yellow and Orange LED colors  
2.8V @ 20mA for Blue, Green and White LED colors

### TECHNICAL DATA

Type	Ls16-F
Illuminated Options	Non-Illuminated/ Ring Illuminated/ Dot Illuminated
Terminal	Solder lug (2.8X0.5)
Max. Switch Rating	2A 48VDC
Contact Resistance	$\leq 50\text{m}\Omega$
Insulation Resistance	$\geq 1000\text{m}\Omega$
Dielectric Strength	2000VAC
Operation Temp	-20°C ~ +55°C
Mechanical Life	1,000,000 Cycles
Electrical Life	200,000 Cycles
Contact Material	Silver Alloy
Torque	5 ~ 14Nm
Operation Pressure	approx. 3 ~ 5N
Protection	IP65/ IK08
Material	
Actuator	Stainless Steel/ Nickel Plated Brass/ Anodized Aluminum
Body	Stainless Steel/ Nickel Plated Brass/ Anodized Aluminum
Base	PBT
Color	LED 3.3V/ 6V/ 12V/ 24V/ 36V(The resistor is external) R G Y O B W Approx, 40,000 hours

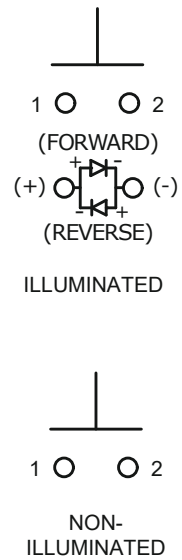
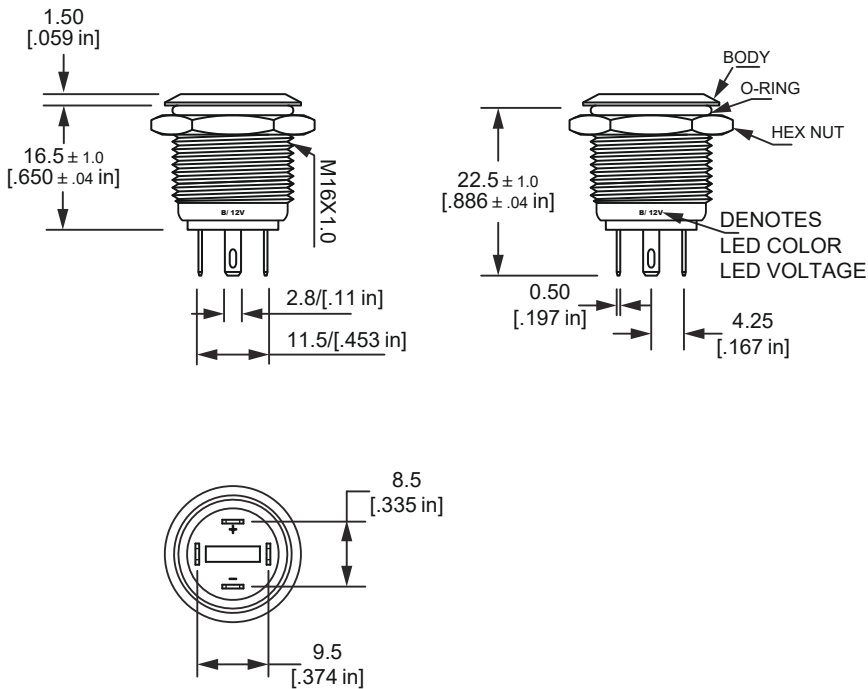
### PANEL CUTOUT



Current-limiting Resistance Configuration Table	Operating Voltage(U)				Formula $R = \frac{U-U_e}{I_e}$
	6V	12V	24V	36V	
Current-limiting Resistance(R)	R Y O	210 $\Omega$ , 1/4W	510 $\Omega$ , 1/2W	1.2k $\Omega$ , 3/4W	2.2k $\Omega$ , 1W
	G B W	160 $\Omega$ , 1/4W	460 $\Omega$ , 1/2W	1.2k $\Omega$ , 3/4W	2.2k $\Omega$ , 1W

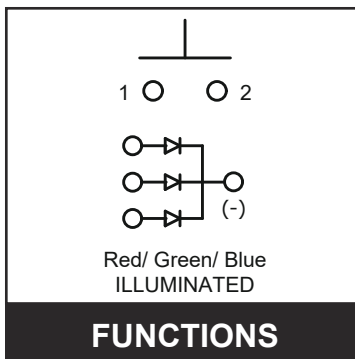
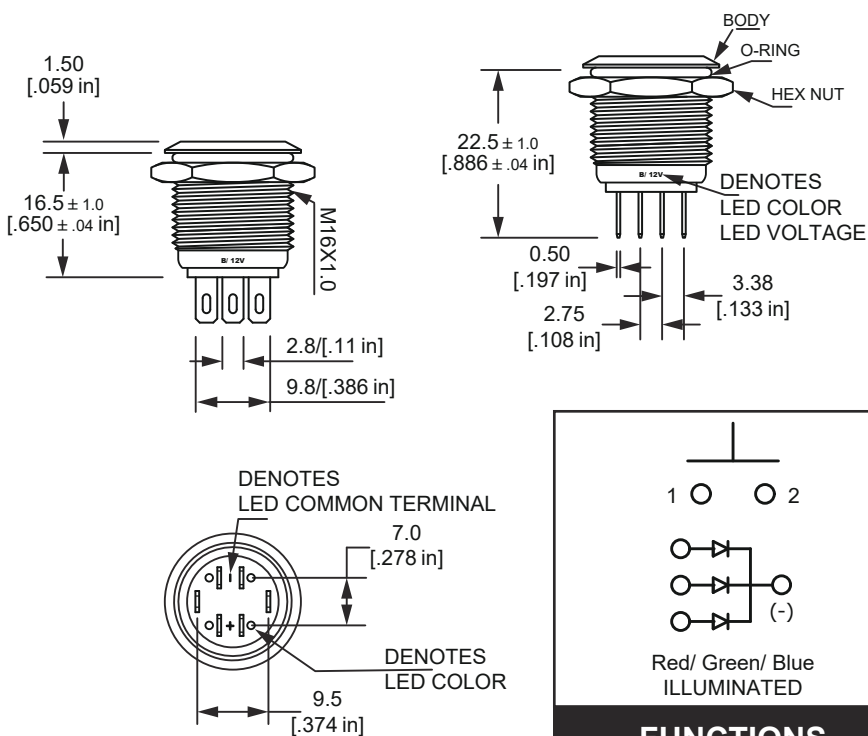
# Anti vandal switch $\varnothing 16\text{mm}$

## STANDARD ILLUM.

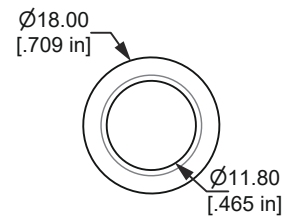


## FUNCTIONS

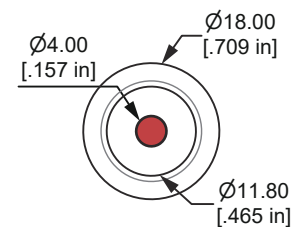
## TRI-COLOR



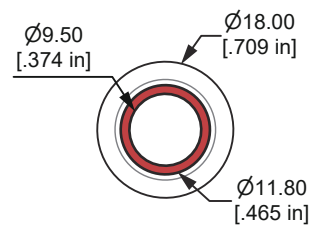
## FUNCTIONS



### Non-illum.



### Dot-illum.



### Ring-illum.

## LENS OPTIONS