

# Anti vandal pilot indicator

## Applications / Markets



Yacht Controls



Security Devices



Industrial Controls



Kiosks



Electrical Housewares



Medical Equipment



## SPECIFICATIONS

**Contact Arrangement:** Lamp indicator  
**Operating/Storage Temperature:** -25°C to 55°C  
**Lamp Life:** 40,000 Hours Nominal  
**Ingress Protection:** IP67  
**Panel Thickness:** 1-6mm or 1-10mm, (depending on mounting diameter)  
**Mounting Nut Torque:** 5-14Nm

## FEATURES & BENEFITS

- Pilot indicator light
- Multiple panel cutout sizes: 6mm to 19mm dia.
- Multiple illumination voltage options
- Multiple LED color options
- IP67 rated

## PART NUMBER CONFIGURATOR

### Series



PI  
PV\*

### Indicator Diameter



06- 6mm Dia.  
 08- 8mm Dia.  
 10- 10mm Dia.  
 12- 12mm Dia.  
 14- 14mm Dia.  
 16- 16mm Dia.  
 19- 19mm Dia.

### Lens



F- Flat  
C- Chamfer

### Illumination Style Options



D- Dot illum.  
R- Ring illum.

### Material Options



S- Stainless steel  
N- Nickel plated brass

### Led-Color Options



W- White  
Y- Yellow  
B- Blue  
G- Green  
R- Red  
O- Orange

### Illumination Voltage Options



NONE- Base voltage\*\*  
 3.3V  
 6V  
 12V  
 24V  
 36V  
 110V

### NOTES:

\* PV: only 8mm and 12mm

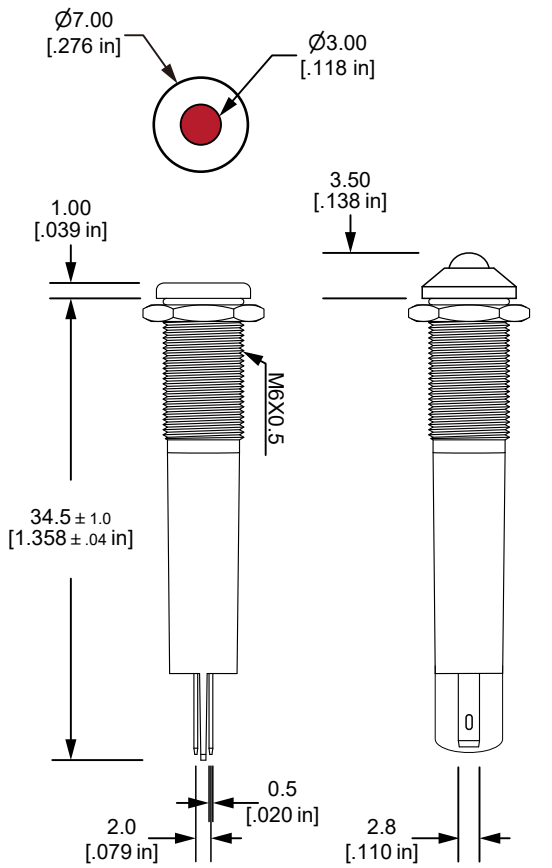
\*\* Base voltage on LEDs: 1.8V @ 20mA for Red, Yellow and Orange LED colors / 2.8V @ 20mA for Blue, Green and White LED colors

*Specifications subject to change without notice*

# Anti vandal pilot indicator

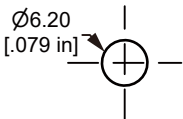
## DIMENSIONS

PI06

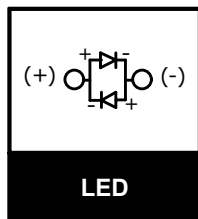


FLAT

CHAMFER

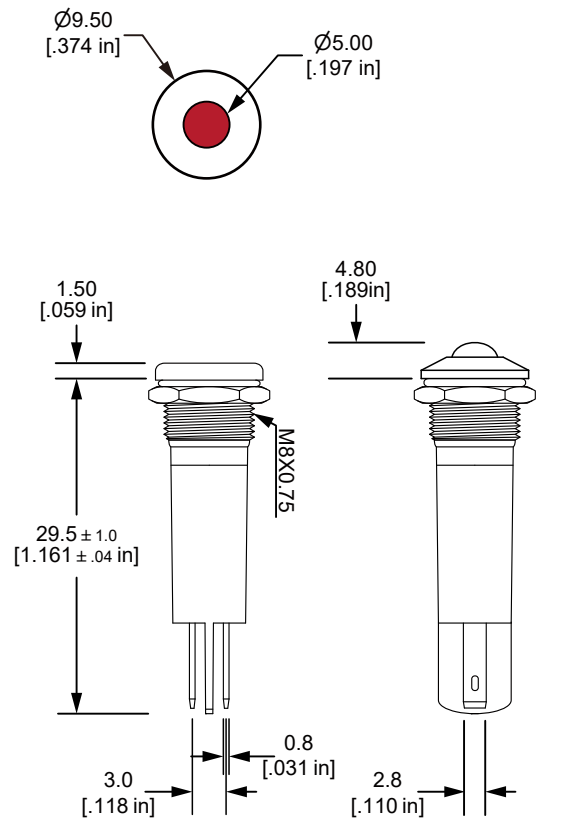


Panel Thickness:  
1 ~ 6mm



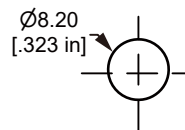
LED

PI08

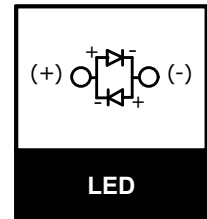


FLAT

CHAMFER



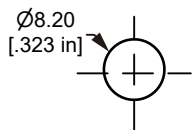
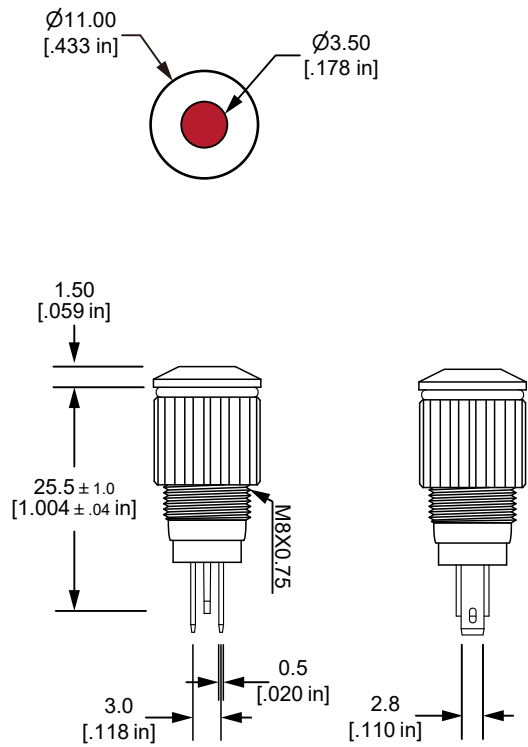
Panel Thickness:  
1 ~ 6mm



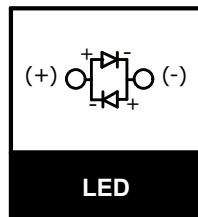
LED

## DIMENSIONS

PV8

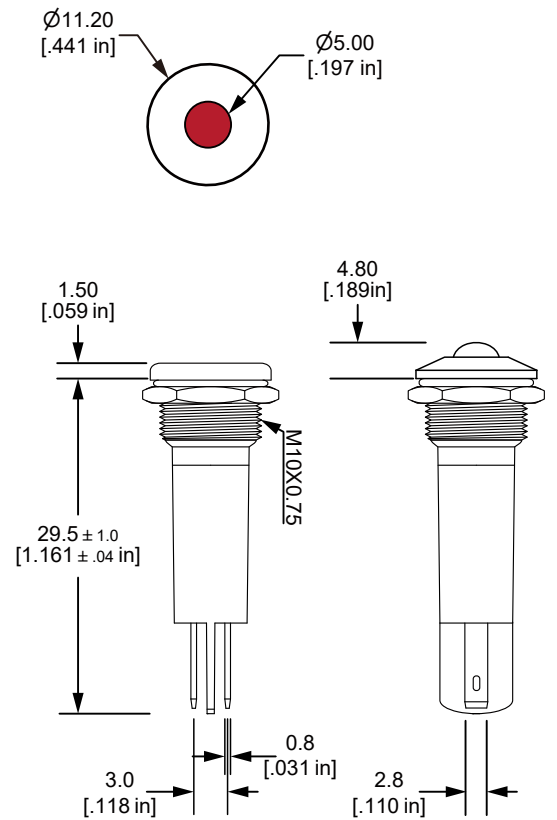


Panel Thickness:  
1 ~ 6mm



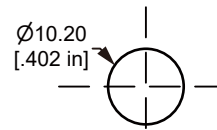
LED

PI10

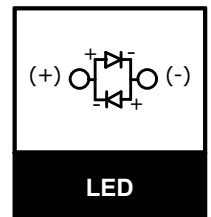


FLAT

CHAMFER



Panel Thickness:  
1 ~ 6mm

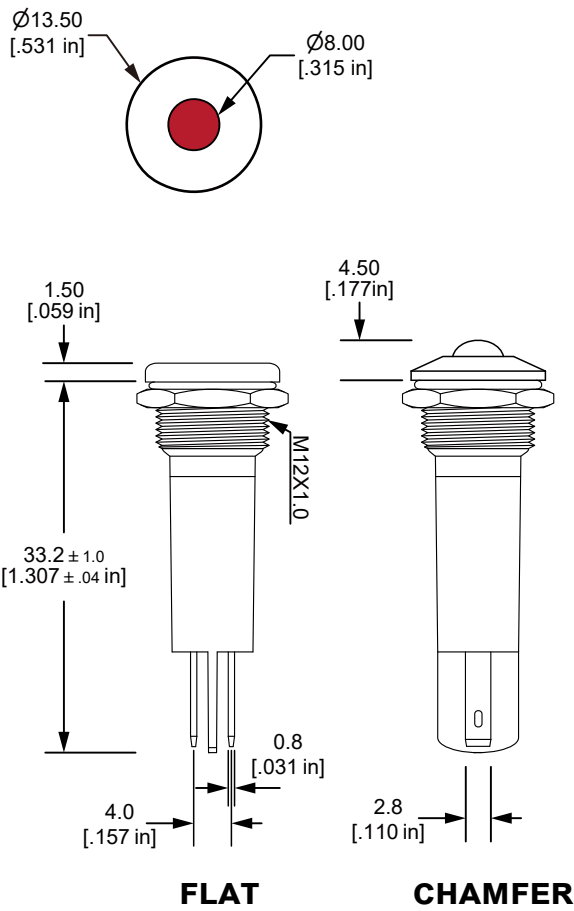


LED

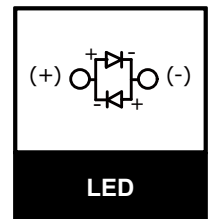
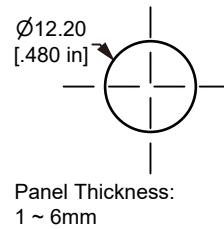
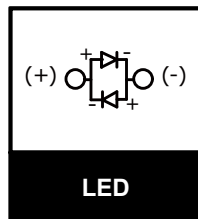
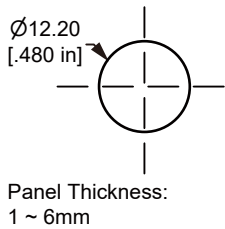
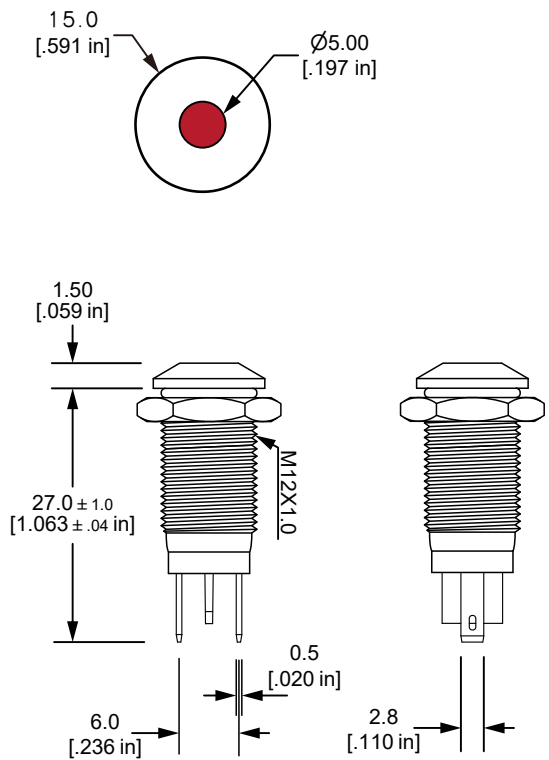
# Anti vandal pilot indicator

## DIMENSIONS

PI12

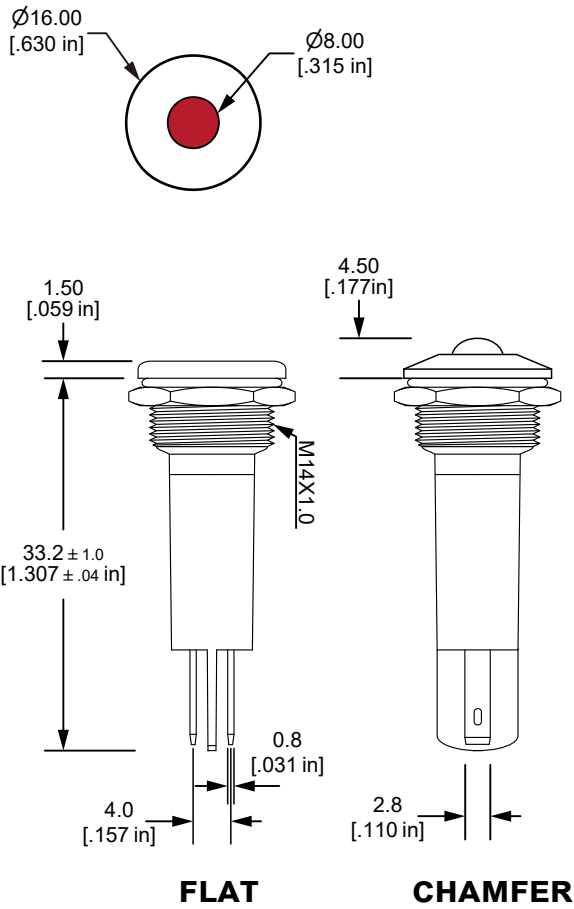


PV12

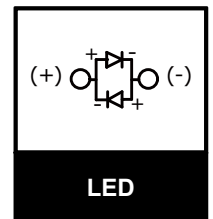
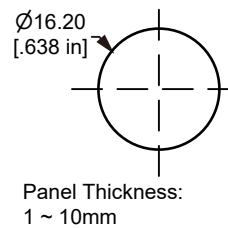
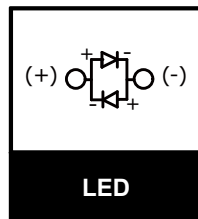
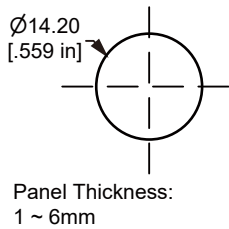
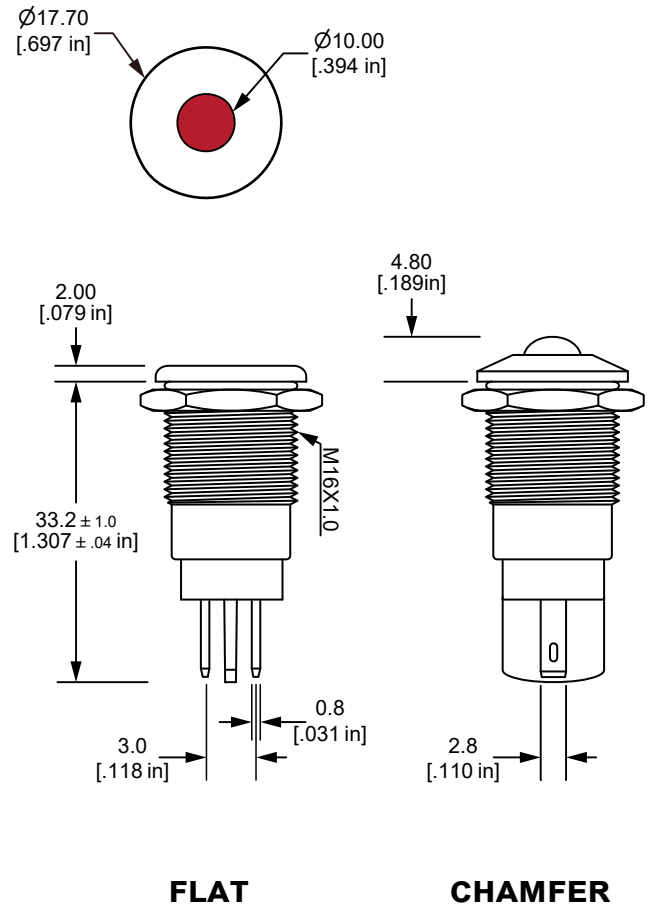


## DIMENSIONS

PI14



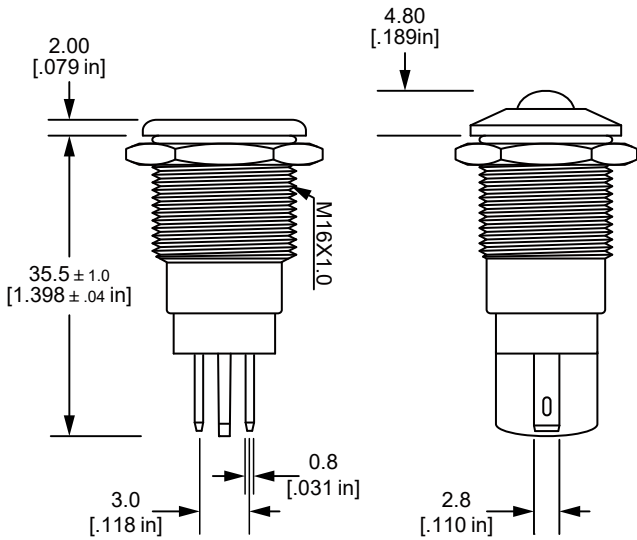
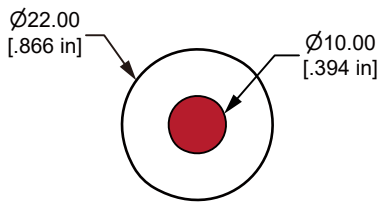
PI16



# Anti vandal pilot indicator

## DIMENSIONS

PI19

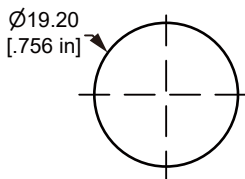


**FLAT**

**CHAMFER**

**FLAT**

**CHAMFER**



Panel Thickness:  
1 ~ 10mm

