

Snap Action Thermostat KSD301

www.langir.com



langir

- Coffee maker
- Toaster
- Microwave oven
- Heating
- Portable Refrigerator
- Water dispenser
- Electric pad
- Portable freezer

KSD301 Series

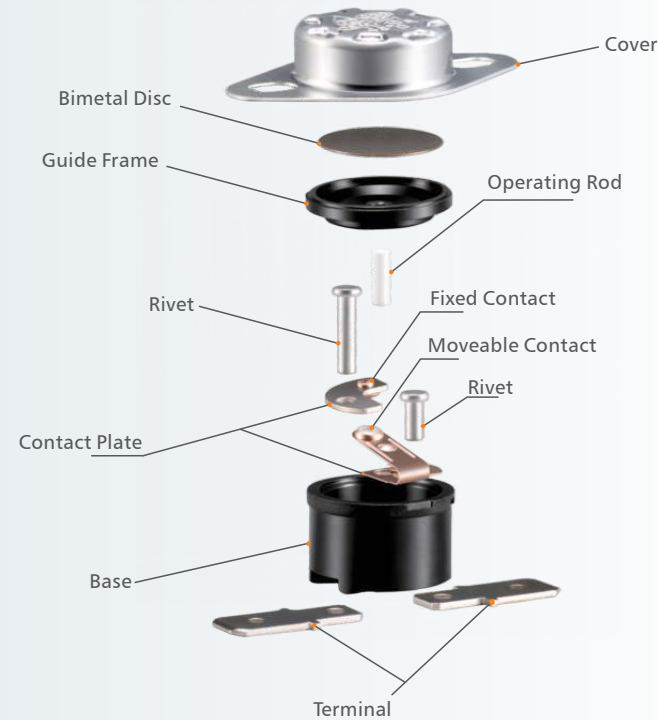
KSD301 series snap-action bimetal thermostat is a kind of miniature hermetically sealed bimetal thermostat (1/2" disc). It is of single-pole single-throw structure and works under resistive load.

KSD301 bimetal thermostat is in wide use in a great variety of compact type home appliances with automatic reset or manual reset to provide temperature control or temperature protection.



Installations

- Method of earth: By means of the metal cup of thermostat connected in the earthing metal part.
- The thermostat should work in environment with humidity not higher than 90%, free of caustic, flammable gas and conducting dust.
- When the thermostat is used to sense the temperature of solid items, its cover should be clung to the heating part of such items. Meanwhile, heat-conducting silicon grease, or other heat media of similar nature, should be applied to the cover's surface.
- If the thermostat is used to sense the temperature of liquids or steam, it is strongly recommended to adopt a version with stainless-steel cup. Moreover, cautious measures should be taken to prevent liquids getting into/onto the thermostat's insulation parts.
- The top of the cup must not be pressed to sink, so as to avoid adverse effect on the thermostat's temperature sensitivity or its other functions.
- Liquids must be kept out of the thermostat's inner part! The base must avoid any force that could lead to crack; it should be kept clear and away from the pollution of electric substance to prevent insulation weakening that leads to short circuited damages.
- The terminals should be bent, or else, the reliability of electric connection will be influenced.



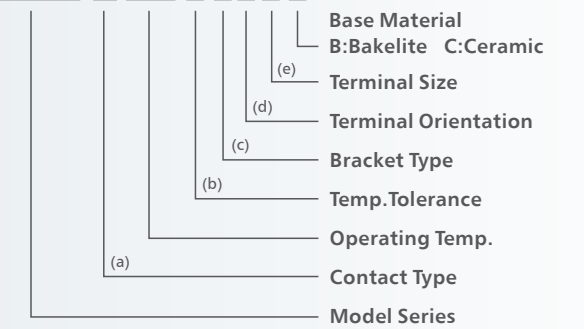
Specification

- Electrical Rating: 16A 125V AC (Resistive Load)
10A 250V AC (Resistive Load)
16A 250V AC (Resistive Load)
- Operating Temp: 50 ~ 175°C (UL.CUL 205°C)
- Differential: 10~30K (15K Standard)
- Temp. Tolerance: Operating Temp. 3K 5K
- Heat Durability: 220°C Max. (PPS)
- Circuit Resistance: 50mΩ Max.
- Insulation Resistance: 100MΩ Min. at DC500V
- Dielectric Strength: AC 1000V for One Minute.
or AC 1800V for One Second.
- Operating Life: 100000 Cycles (16A 125V/10A 250V AC)
10000 Cycles (16A 250V AC)

How To Order

MODEL CODE (FULL CODE)

Ex) **KSD301 A 110 B C D 2 B**

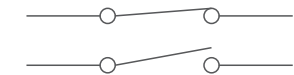


(a) Contact Type

A = Contact Opens When Temperature Rises to Set Point (Normally Closed)

B = Contact Closes When Temperature Rises to Set Point (Normally Open)

M = Manual Reset



(b) Temp. Tolerance (*=STANDARD)

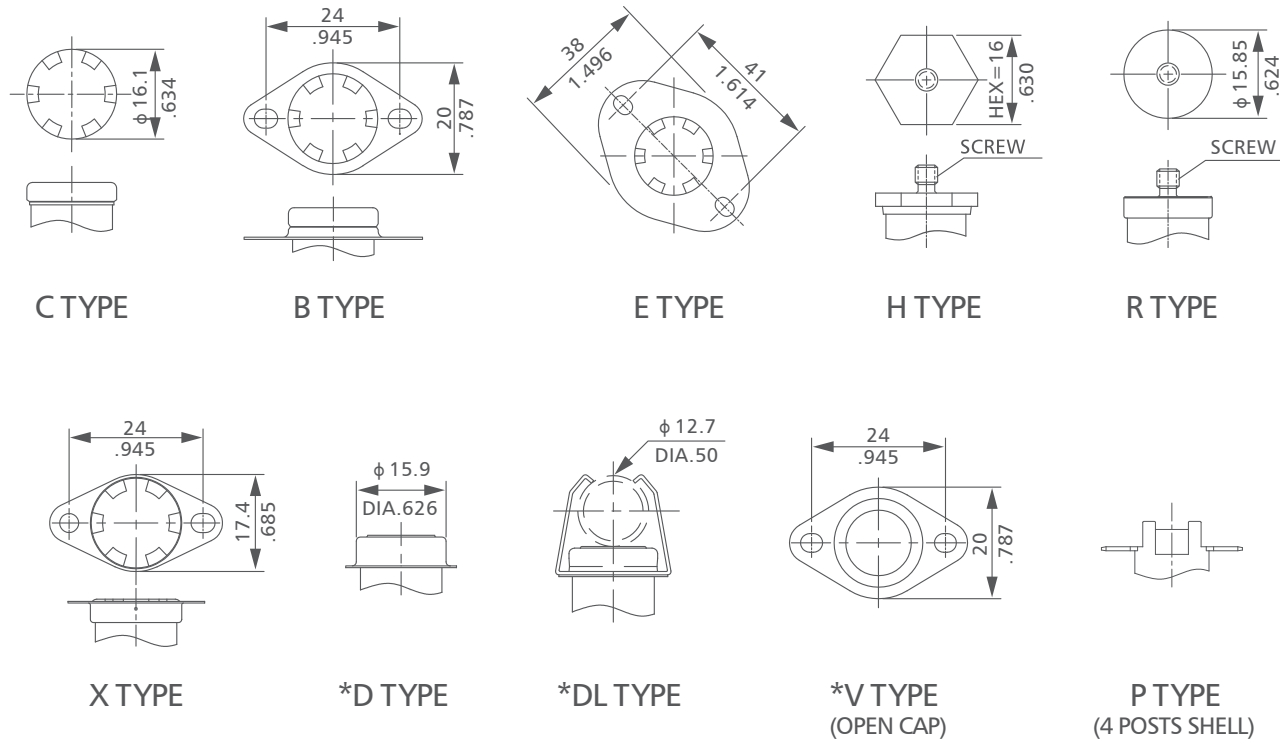
Grade	A	B
Action ±°C	3	5
Reset ±°C	4	8

- The Grade of Temp. Tolerance is "A", When The Operating Temp. is Less Than 105°C.
- The Grade of Temp. Tolerance is "B", When The Operating Temp. is Over 106°C.

(c) Bracket Type

- Fixed Bracket
- *Stainless Steel CAP: D,DL,V,T TYPE

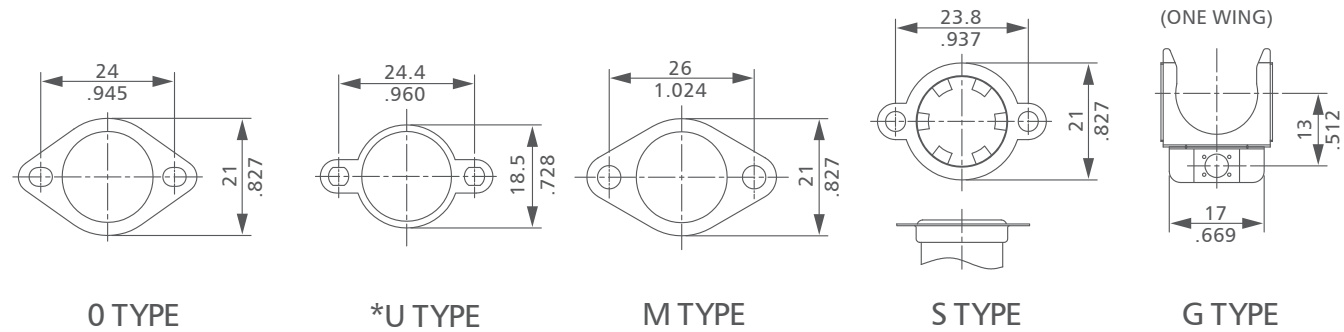
Screw Type: M4x0.7 L:6mm(STD)
 M5x0.8 L:6mm(STD)
 # 6-32UNC
 # 8-32UNC



mm
inch

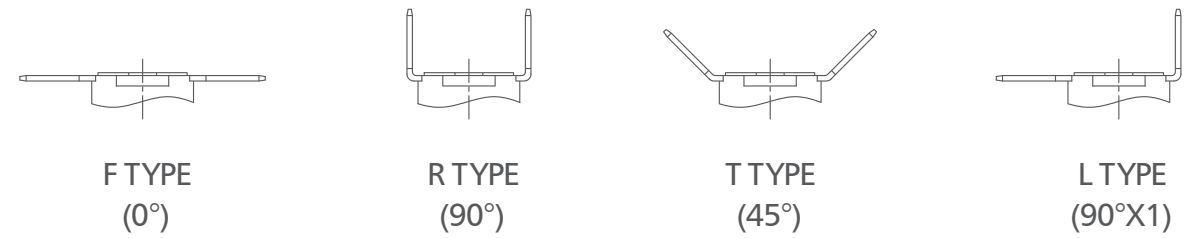
• Loose Bracket

- *Stainless Steel CAP: U TYPE

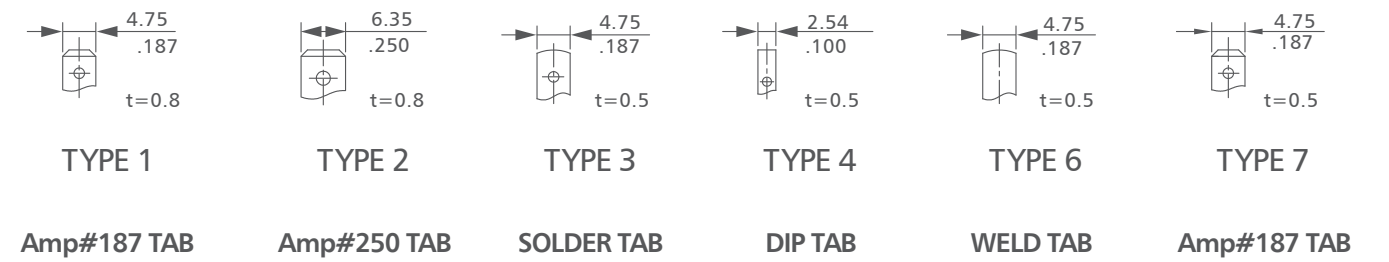


mm
inch

(d) Terminal Orientation



(e) Terminal Size



mm
inch